

Full Spectrum Sanctuary Outdoor 5

by Clearlight®



Features

Therapeutic Far Infrared Heaters

Clearlight's exclusive True Wave® Far Infrared Heaters are the only patented low EMF heaters on the market. True Wave's combination carbon/ceramic low EMF/ELF heaters surround you in healing infrared heat.

500 Watt True Wave®

Full Spectrum Infrared Heaters

Our full spectrum near, mid and far infrared heaters deliver over 20 times the power of the nearest leading competitor. Our patented heating system allows for the deepest penetration with peak performance for the best results.

Doctor Designed Recliner Bench

Relax in comfort in your sauna with our exclusive recliner or flat bench.

Charging & Audio Station

Charge your smart device inside the sauna and connect your favorite audio device with Bluetooth or the included MP3 jack.

Built-in Ergonomic Backrest

Relax close to the soothing infrared heat against the Chiropractor designed built-in ergonomic backrest.

Combination Door Handle/Tablet Cradle For Easy Media Viewing

Place your tablet on the door handle for easy viewing of your favorite shows or movies.

Exclusive Under Floor Foot Heater

All Clearlight Sanctuary Saunas include a heater underneath the wood floor to enhance your sauna session.

Built For The Outdoors

DriftwoodTec™ Weather-Resistant exterior construction combines the beauty of natural wood with enhanced outdoor durability. Paired with waterproof Luxury Vinyl Flooring for easy cleaning and a Mahogany interior for that true sauna feel.

2-Piece Weather-Protected Roof Cap

Designed for long-term outdoor durability, the two-piece roof cap features extended overhangs and weather-resistant marine-grade materials topped with a waterproof roofing layer to help protect your sauna from the elements.

Full Glass Front Design

A full glass front featuring 10 mm thick tempered glass and dual weather stripping helps retain heat, block outside cold, and protect against moisture for enhanced outdoor performance.



Enhanced Audio Sound System

Bluetooth and AUX inputs makes it easy to connect and listen to your audio devices.



Digital Keypad Controls

Digital keypad controls temperature, time, lights, heater intensity and reservation mode.



Upgraded Chromotherapy

Your Sanctuary sauna comes with our upgraded healing Chromotherapy. Choose from one of twelve colors or auto-cycle through all color tones.



Smart Device Control (Optional)

Log in from your smart device and remotely operate your sauna.

Full Spectrum Sanctuary Outdoor 5

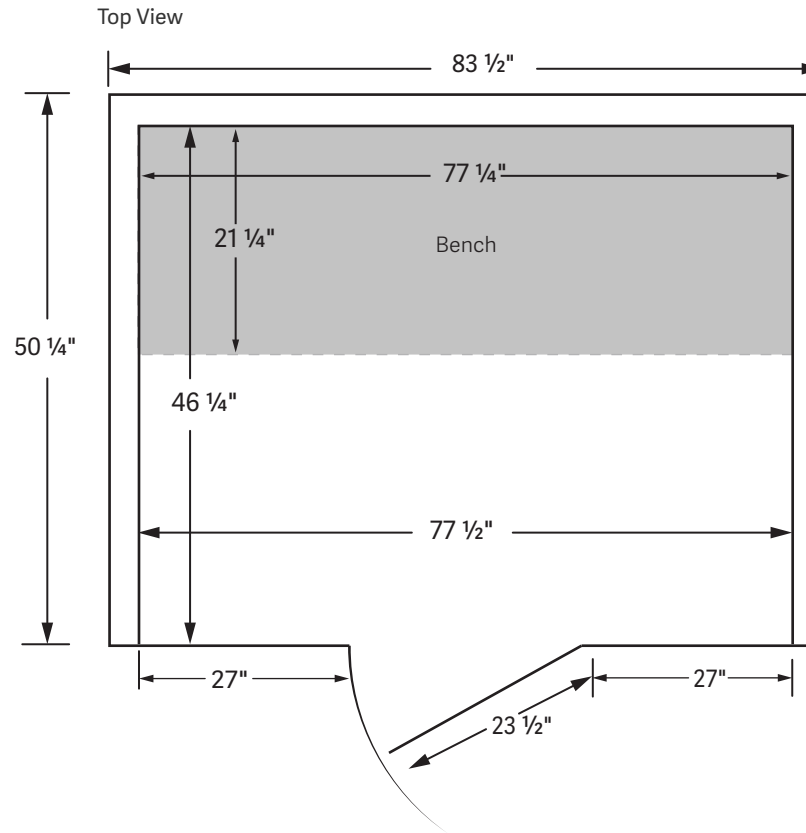
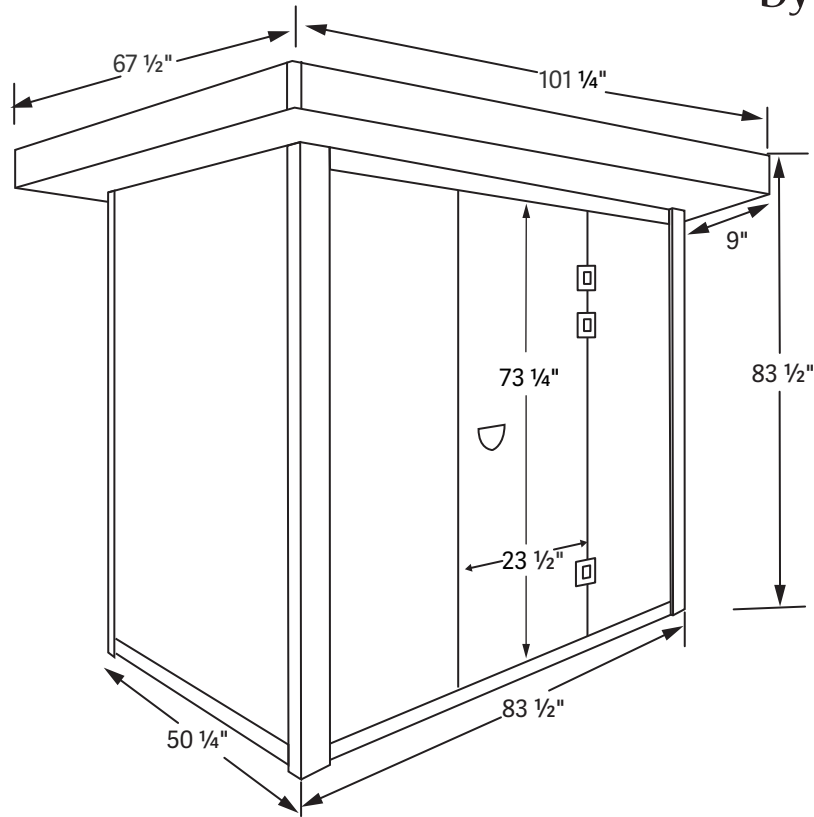
by Clearlight®

Installation Notes:

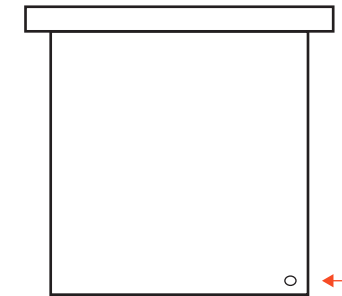


If you plan to build the sauna into an enclosed area, please contact your Infrared Sauna Specialist to ensure proper installation clearance and service access.

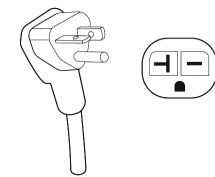
* See last page for full details.



Back View



Power cord is located on the back of the sauna, six inches off the ground and is approximately six feet long.



240V / 20A Electrical Circuit Required
NEMA 6-20P

Specifications

Construction

DriftwoodTec™ Weather Resistant Eco-Certified Exterior Mahogany Interior Tongue & Groove Construction Rated: IPX 4

Weight

1050 lbs

Exterior

With Roof Cap:
101 1/4" L x 67 1/2" L x 83 1/2" H
Roof Cap Overhang: 9"

Without Roof Cap:

Width: 83 1/2"
Depth: 50 1/4"
Height: 78 1/2"

Interior

Width: 77 1/2"
Depth: 46 1/4"
Height: 71 1/2"

Door

Length: 73 1/4"
Width: 23 1/2"
Thickness: 10mm

Front Side Glass

Length: 74 1/4"
Width: 27"
Thickness: 10mm

Adjustable Bench

Width: 77 1/4"
Depth: 21 1/4"
Fixed Bench Height: 20"
*Flat or in Recline position
Weight Limit: 350 lbs per person

Bench Support

Length: 74 1/4"
Width: 15 3/4"

Heaters

True Wave® Far Infrared Heaters & Four 500 Watt True Wave® Full Spectrum Infrared Heaters

Power

240V / 3,600W / 15A

Limited Lifetime Warranty on Components

5 Years on the Cabin
5 Years Commercial Warranty Heaters: Lifetime
Electrical Controls: Lifetime
Cabinetry & Glass: 5 Years

Full Spectrum Sanctuary Outdoor 5

by Clearlight®

Individual panel sizes, laying flat, in inches.

Panel	Length	Width	Height
Wood Roof	77 ½	47 ¼	3 ½
Floor	82 ½	49 ¾	4
Left Side	74 ¾	50	2 ¾
Right Side	74 ¾	50	2 ¾
Back Wall	74 ¾	77 ¾	2 ¾
Roof Cap x2	50 ½	67 ½	5



Attention: Make sure largest panel can fit through all access points from location entrance to sauna set up location.

Electrical Wire Requirements:

20 Amp saunas are 12 AWG

Single Phase / 3 wire: 2 x live/ground - for 240V

Installation and Clearance Requirements

Your sauna is designed as a standalone unit and must be fully accessible on all sides and above for any service related needs.

Minimum Installation Requirements (for proper setup and airflow)

- 4 inches of clearance on all sides
- 6–8 inches of overhead clearance is recommended
- If the ceiling is less than 8 feet tall, please discuss your installation with a Sauna Specialist.

*These clearances allow for basic airflow and safe installation. Additional space may be needed if not professionally installed by our recommended 3rd party.

Customer Responsibility

If service is needed, the sauna must be fully accessible on all sides and the top. The customer is responsible for moving or removing any surrounding structures or facades to provide necessary access.

Add On

- Can't have both upgrade heater and Red Light simultaneously.
- Not VRT Compatible

Surface Requirements

Place the sauna on a raised, level platform to prevent water pooling underneath. Not recommended for use in temperatures below 40° F. For outdoor setups, a concrete or wooden foundation is required.

Cover Included

Includes an outdoor sauna cover for weather protection.

Optional Roof Tie-Down System

Provides additional stability in high-wind areas. Includes roof anchors, heavy-duty J-bolts, and steel tie-down cables.

Weather Precautions

1ft Snow limit, Wind Rating 35 MPH

Additional Build Information

Roof Information

- Roof cap is 5" deep (top to bottom).
- The slope inside the roof is 15mm.
- The overhang at the back is 8 ¼"
- Height of the unit without the roof cap is 78 ½" tall
- Top of the roof is a black waterproof roofing material
- From the floor to the bottom of the glass door is 3"