



**GENERAL LIGHTING
PRODUCT 20
CATALOG 26**



BEST LIGHTING COMPANY OVERVIEW

Best Lighting Products, Inc. (BLP) manufactures best-in-class Life Safety lighting products including emergency units, exit and combo signs for every application, emergency ballasts, and inverters. BLP also offers a variety of general lighting products in commercial, industrial, and residential categories.

The company exclusively serves OEM customers and OEM lighting suppliers. Best Lighting Products, Inc. was founded in 1996 and has been a trusted partner to its US Lighting OEM customers since its inception.

BLP is based in Columbus, Ohio with engineering, manufacturing and distribution facilities in both Asia and Ohio. Best's extensive US inventory of an ever-expanding product line offers its customers a fast turnaround and a competitive advantage in their markets.

We're not just Better, We're Best!

FEATURES ICONS



STANDARDS ICONS



INDOOR PRODUCT INDEX

HBSR / HBSR-UNC - Round High Bay	06
HBSR - Linear High Bay	08
HBLASR / HBLASR-45L - Adjustable Linear High Bay	10
FHBSR - Full Body Linear High Bay	12
PNL - 1x4 Back-lit LED Panel	15
PNL - 2x2 Back-lit LED Panel	16
PNL - 2x4 Back-lit LED Panel	17
PNL - 2x4 Flat Panel High Lumen	18
CB24 - Center Basket 2x4	20
CB22 - Center Basket 2x2	21
SLS - Slim Strip Light	22
SL - Strip Light	23
SW - 2FT Stairwell Light	24
SW - Stairwell Light	25
WRE - Economy Wrap	26
WR - Wrap	27
VTSR - 8FT Vapor Tight Sensor Ready	28
VTSR - Vapor Tight Sensor Ready	29
UCE - Economy Under Cabinet Light	30
UC - Under Cabinet Light	31
ALDI - Architectural Linear Direct-Indirect Light	32
APEN - Architectural Pendant Cylinder	33
DRS - Double Round Ceiling Light	34
DL - Round Flat Disk Light	36
DK - Disk Light	37
DK-OS - Disk Light with PIR Sensor	38

OUTDOOR PRODUCT INDEX

MPALSR - Multi-Purpose Area Luminaire	40
MPALDSR - Multi-Purpose Area Luminaire	42
MPAL - Multi-Purpose Area Luminaire	44
MPAL - Multi-Purpose Area Luminaire	46
BF - Bullet Flood Light	48
BFHL - Bullet Flood High Lumen Light	49
WPASR - Adjustable Wall Pack	50
WPTSR - Traditional Wall Pack	51
WPFCSR - Full Cut-off Wall Pack	52
WPE - Economy Wall Pack	53
WPHM - Half Moon Full Cut-off Wall Pack	54
WPRSR - Rotatable Wall Pack	55
CPSR - Canopy Luminaire	56
CPRSR - Round Canopy Luminaire	57
RECESSED-CP - Recessed Canopy Luminaire	58
CPHL- Canopy High Lumen Luminaire	59
BOL- Round And Square Bollards	60
BOL-UFO - UFO Head Bollards	61
BOLS - Slim Bollards	62
BH - Bulk Head Luminaire	63
CYL-UPDN - UP/DN Cylinder Luminaire	64
SDM - Stadium Light	65
DDAL - Dusk-to-dawn Area Light	66

ACCESSORIES

INDOOR PRODUCT ACCESSORIES	68
OUTDOOR PRODUCT ACCESSORIES	70
OPTIONAL CONFIGURATIONS	72



BEST
LIGHTING PRODUCTS



HIGH BAY PRODUCTS

HBR SR/HBR SR-UNC

ROUND HIGH BAY

STANDARD



FEATURES

- Universal 120-277V or 277-480V AC voltage (50-60Hz) with 6-foot incoming power cords.
- 277-480V optional.
- Two models deliver a range from 16,000 to 35,000 nominal lumens.
- Field selectable 3000K, 4000K & 5000K color temperatures.
- Sensor-ready receptacle comes standard. Screw-in sensor and remote control sold separately.
- 0-10VDC dimming drivers are standard.
- Watertight, compression-type electrical connectors.
- Premium powder-coat, diecast aluminum housing with polycarbonate lens.

WARRANTY & LISTINGS

- cULus listed for wet locations in ambient temperatures from -40°C to 50°C (-40°F to 122°F).
- DLC premium approved.
- 5-year warranty of all electronics and housing.

ORDERING INFORMATION

Example: HBR SR-221816L-3CCT-UNC

Series	Nominal Lumen Output (Selectable)		Kelvin (Selectable)*		Input Voltage		Housing Color	
HBR SR	221816L	22,000 / 18,000 / 16,000 lm	4K5K	4000 / 5000K	Blank	120-277V**	BLK WHT	Black White
	353024L	35,000 / 30,000 / 24,000lm	3CCT	3000 / 4000 / 5000K	UNC	277-480V		

* 3CCT only for UNC version.

**120-277V have 4000K and 5000K color temperature.

HBR SR/HBR SR-UNC ROUND HIGH BAY

MOUNTING METHODS



OCCUPANCY SENSORS



REFLECTORS

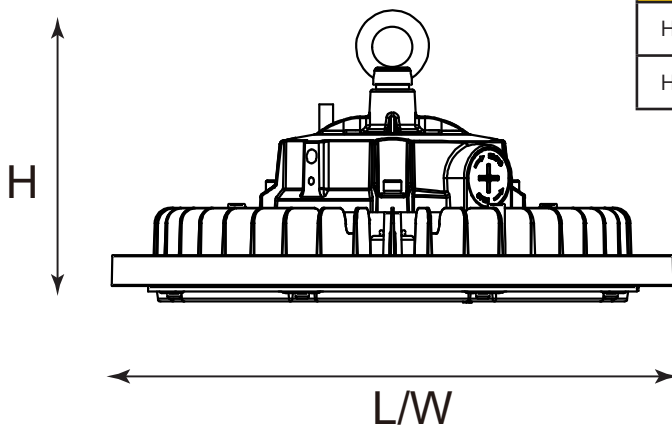
Note: -S for HBR SR-221816L and -L for HBR SR-353024L



TRANSFORMER / EMERGENCY DRIVER



DIMENSIONS



Model	L	W	H	Weight
HBR SR-221816L	10.6"	10.6"	5.92"	5.53 lbs
HBR SR-353024L	13"	13"	5.92"	7.29 lbs

HBLSR LINEAR HIGH BAY

STANDARD



FEATURES

- Universal 120-277V AC voltage (50-60Hz) is standard.
- Four models deliver a range from 12,000 to 60,000 nominal lumens.
- Field selectable 4000K & 5000K color temperatures.
- Sensor-ready receptacle comes standard. Screw-in sensor and remote control sold separately.
- 0-10VDC dimming drivers are standard.
- 347-480V achieved with step-down transformer is optional.*
- Emergency Driver is optional available.
- Medium distribution is standard with optional narrow or wide distribution lenses.
- Premium powder-coat, steel, white housing with polycarbonate lens.

WARRANTY & LISTINGS

- cULus listed for damp locations in ambient temperatures from -40°C to 50°C (-40°F to 122°F). HBLSR-181512L from -40°C to 55°C (-40°F to 131°F).
- DLC premium approved.
- 5-year warranty of all electronics and housing.

ORDERING INFORMATION

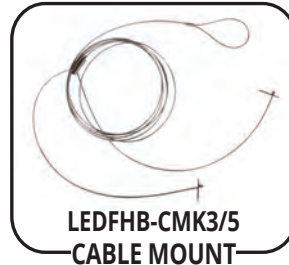
Example: HBLSR-181512L-4K5K-UNC

Series	Nominal Lumen Output (Selectable)		Kelvin (Selectable)		Input Voltage		Lens Distribution		Emergency Driver		
	Model	Output	Temp	Temp	UNC	Blank	ND	WD	Blank	EM	
HBLSR	181512L	18,000 / 15,000 / 12,000 lm	4K5K	4000 / 5000K	UNC	347-480V	ND	WD	Blank	EM10	10W Emergency driver
	241815L	24,000 / 18,000 / 15,000 lm								EM13	13W Emergency driver
	363024L	36,000 / 30,000 / 24,000 lm								EM25	25W Emergency driver
	604836L	60,000 / 48,000 / 36,000 lm								Blank	No Emergency driver

* UNC 347-480V is not compatible with emergency drivers (EMxx).
SMK and PMK are not compatible with EM or UNC versions.

HBLSR LINEAR HIGH BAY

MOUNTING METHODS



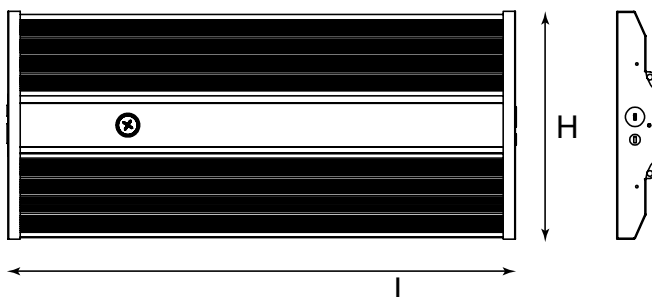
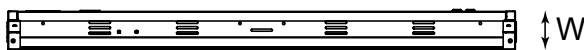
OCCUPANCY SENSORS



REMOTE MOUNT EMERGENCY DRIVERS



DIMENSIONS



Model	L	W	H	Weight
HBLSR-181512L	16.5"	10.25"	1.8"	4.6 lbs
HBLSR-241815L	23"	10.25"	1.8"	7.0 lbs
HBLSR-363024L	31"	10.25"	1.8"	9.5 lbs
HBLSR-604836L	44"	10.25"	1.8"	12 lbs

HBLASR/HBLASR-45L ADJUSTABLE LINEAR HIGH BAY

STANDARD



HIGH BAY



FEATURES

- Universal 120-277V AC voltage (50-60Hz) is standard.
- Four models deliver a range from 9,000 to 45,000 nominal lumens.
- Field selectable 3000K, 4000K & 5000K color temperatures.
- Sensor-ready receptacle comes standard. Screw-in sensor and remote control sold separately.
- 0-10VDC dimming drivers are standard.
- Optics rotate up to 135°.
- 347-480V achieved with step-down transformer is optional.*
- Premium powder-coat, steel, white housing with polycarbonate lens.

WARRANTY & LISTINGS

- cULus listed for wet locations in ambient temperatures from -40°C to 50°C (-40°F to 122°F).
- DLC premium approved excluding HBLASR-45L. HBLASR-45L DLC standard approved.
- 5-year warranty of all electronics and housing.

ORDERING INFORMATION

Example: HBLASR-15129L-4K5K-UNC

Series	Nominal Lumen Output (Selectable)		Kelvin (Selectable)		Input Voltage		Emergency Driver**	
HBLASR	15129L	15,000 / 12,000 / 9,000 lm	4K5K	4000 / 5000K	UNC	347-480V 120-277V	EM10	10W Emergency driver
	241815L	24,000 / 18,000 / 15,000 lm					EM13	13W Emergency driver
	302418L	30,000 / 24,000 / 18,000 lm					EM25	25W Emergency driver
	4541383325L	45,000 / 41,000 / 38,000 / 33,000 / 25,000 lm	3CCT	3000 / 4000 / 5000K	Blank	120-277V	Blank	No Emergency driver

* UNC 347-480V is not compatible with emergency drivers (EMxx).

** Emergency Driver is not compatible with HBLASR-4541383325L-3CCT.

HBLASR/HBLASR-45L ADJUSTABLE LINEAR HIGH BAY

MOUNTING METHODS*



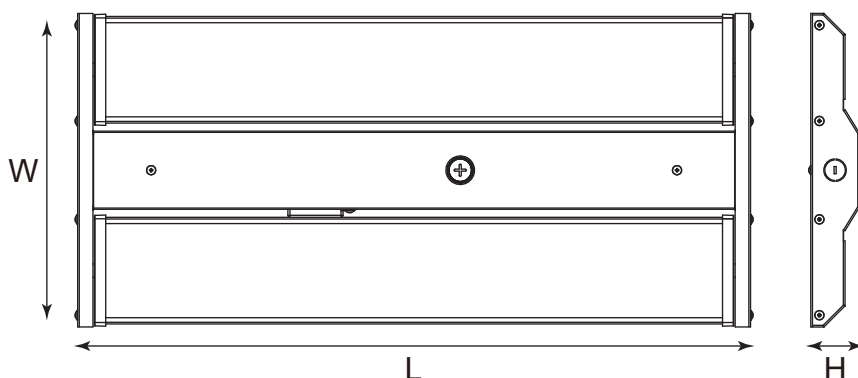
* Mounting accessories excluding HBLASR-4541383325L.
SMK and PMK not compatible with UNC and EM drivers.

OCCUPANCY SENSORS



DIMENSIONS

Model	L	W	H	Weight
HBLASR-15129L	25.8"	12.1"	1.9"	7.5 lbs
HBLASR-241815L	25.8"	12.1"	1.9"	7.5 lbs
HBLASR-302418L	25.8"	12.1"	1.9"	7.5 lbs
HBLASR-4541383325L	24.8"	14.57"	1.5"	7.94 lbs



FHBSR

FULL BODY LINEAR HIGH BAY

STANDARD



FEATURES

- Universal 120-277V AC voltage (50-60Hz) is standard.
- Four models deliver a range from 12,000 to 60,000 nominal lumens.
- Field selectable 4000K & 5000K color temperatures.
- Sensor-ready receptacle comes standard. Screw-in sensor and remote control sold separately.
- 0-10VDC dimming drivers are standard.
- 347-480V achieved with step-down transformer is optional.*
- Premium powder-coat, diecast aluminum, white housing with polycarbonate prismatic lens.

WARRANTY & LISTINGS

- cULus listed for damp locations in ambient temperatures from -40°C to 55°C (-40°F to 131°F) for FHBSR-181512L and FHBSR-241815L; -40°C to 50°C (-40°F to 122°F) for FHBSR-363024L and FHBSR-604836L.
- DLC premium approved.
- 5-year warranty of all electronics and housing.

ORDERING INFORMATION

Example: FHBSR-181512L-4K5K-UNC

Series	Nominal Lumen Output (Selectable)		Kelvin (Selectable)		Input Voltage		Emergency Driver	
	Model	Output (lm)	4000K	5000K	Input	Output	Options	Notes
FHBSR	181512L	18,000 / 15,000 / 12,000	4K5K	4000 / 5000K	UNC	347-480V / 120-277V	EM10	10W Emergency driver
	241815L	24,000 / 18,000 / 15,000					EM13	13W Emergency driver
	363024L	36,000 / 30,000 / 24,000					EM25	25W Emergency driver
	604836L	60,000 / 48,000 / 36,000					Blank	No Emergency driver

* UNC 347-480V is not compatible with emergency drivers (EMxx).
SMK and PMK are not compatible with EM or UNC versions.

FHBSR FULL BODY LINEAR HIGH BAY

MOUNTING METHODS



FHBSR-SMK
SURFACE MOUNT



FHBSR-PMK
PENDANT MOUNT



LED FHB-CMK3/5
CABLE MOUNT



FHBSR-WG
WIRE GUARD

OCCUPANCY SENSORS

Passive Infrared
SENSOR
HD07VR-PH-1-90



Microwave
SENSOR
HD07VR-MH-B-1-90



Passive Infrared
SENSOR
HD09VR-PH5-1-90



Microwave
SENSOR
HD09VR-MH5-1-90



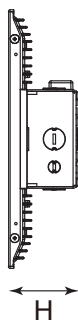
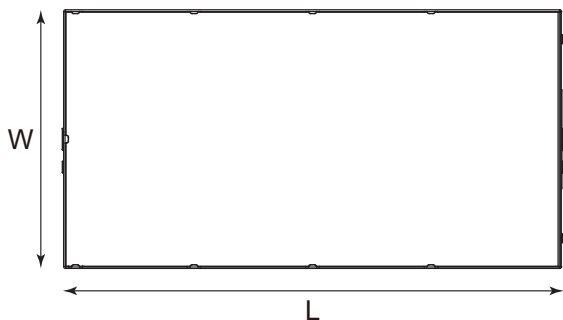
REMOTE MOUNT EMERGENCY DRIVERS



BLEM-CP-10/13C
EMERGENCY DRIVER

DIMENSIONS

Model	L	W	H	Weight
FHBSR-181512L	13"	9.5"	2.2"	3.7 lbs
FHBSR-241815L	14.2"	10.25"	2.4"	4.5 lbs
FHBSR-363024L	19.7"	10.25"	2.6"	6.5 lbs
FHBSR-604836L	30.7"	11.0"	2.6"	9.25 lbs



BEST
LIGHTING PRODUCTS



INDOOR PRODUCTS



INDOOR

FEATURES

- Field selectable 3500K, 4000K & 5000K color temperatures.
- Tri-lumen selectable provides an output range from 2,600 to 4,000 nominal lumens.
- Universal 120-277V AC voltage (50-60Hz) is standard.
- Uniform illumination with no visible LED pixilation.
- 0-10VDC dimming drivers are standard.
- Optional Emergency drivers are available
- Steel frame and housing backplate.
- PMMA (Polymethyl methacrylate) LED lenses for optimal light distribution, efficiency and longevity.

WARRANTY & LISTINGS

- cULus listed for damp locations and insulated ceilings in ambient temperatures from -20°C to 40°C (-4°F to 104°F).
- DLC approved.
- 5-year warranty of all electronics and housing.

DIMENSIONS

Model	L	W	H	Weight
PNL1X4-40L	47.7"	11.8"	1.5"	6 lbs

ORDERING INFORMATION

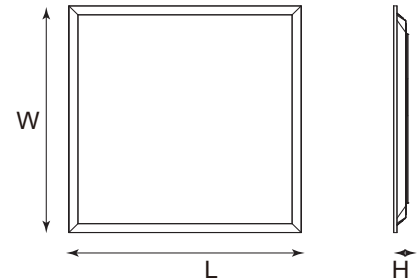
Example: PNL1X4-40L-LKFS

Series	Max. Lumens	Lumen Output / Kelvin Selectable			Emergency Driver	
PNL1X4	40L	LKFS*	4,000 / 3,400 / 2,600 lm	3500 / 4000 / 5000K	Blank EM5 EM10 EM13	No Emergency Driver 5W Emergency Driver 10W Emergency Driver 13W Emergency Driver

* Field Selectable

PNL 2X2 BACK-LIT LED PANEL

STANDARD



FEATURES

- Field selectable 3500K, 4000K & 5000K color temperatures.
- Tri-lumen selectable provides an output range from 2,700 to 4,000 nominal lumens.
- Universal 120-277V AC voltage (50-60Hz) is standard.
- Uniform illumination with no visible LED pixilation.
- 0-10VDC dimming drivers are standard.
- Optional Emergency drivers are available
- Steel frame and housing backplate.
- PMMA (Polymethyl methacrylate) LED lenses for optimal light distribution, efficiency and longevity.

WARRANTY & LISTINGS

- cULus listed for damp locations and insulated ceilings in ambient temperatures from -20°C to 40°C (-4°F to 104°F).
- DLC premium approved.
- 5-year warranty of all electronics and housing.

DIMENSIONS

Model	L	W	H	Weight
PNL2X2-40L	23.7"	23.7"	1.5"	4 lbs

ORDERING INFORMATION

Example: PNL2X2-40L-LKFS-PRM

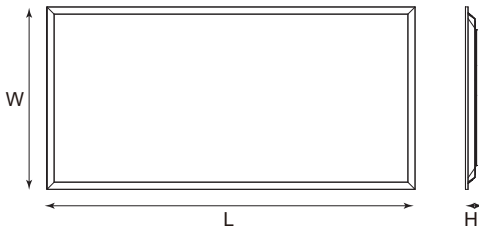
Series	Max. Lumens	Lumen Output / Kelvin Selectable		DLC		Emergency Driver		
PNL2X2	40L	LKFS*	4,000 / 3,600 / 2,700lm	3500 / 4000 / 5000K	PRM	Premium	Blank EM5 EM10 EM13	No Emergency Driver 5W Emergency Driver 10W Emergency Driver 13W Emergency Driver

* Field Selectable

STANDARD



PNL 2X4 BACK-LIT LED PANEL



INDOOR

FEATURES

- Field selectable 3500K, 4000K & 5000K color temperatures.
- Tri-lumen selectable provides an output range from 3,300 to 5,000 nominal lumens.
- Universal 120-277V AC voltage (50-60Hz) is standard.
- Uniform illumination with no visible LED pixilation.
- 0-10VDC dimming drivers are standard.
- Optional Emergency drivers are available
- Steel frame and housing backplate.
- PMMA (Polymethyl methacrylate) LED lenses for optimal light distribution, efficiency and longevity.

WARRANTY & LISTINGS

- cULus listed for damp locations and insulated ceilings in ambient temperatures from -20°C to 40°C (-4°F to 104°F).
- DLC premium approved.
- 5-year warranty of all electronics and housing.

DIMENSIONS

Model	L	W	H	Weight
PNL2X4-50L	47.7"	23.7"	1.5"	9 lbs

ORDERING INFORMATION

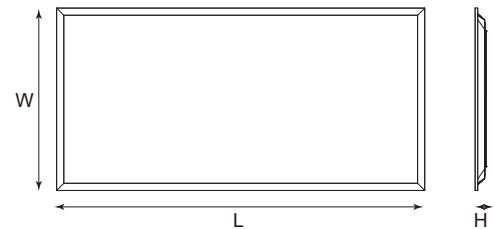
Example: PNL2X4-50L-LKFS-PRM

Series	Max. Lumens	Lumen Output / Kelvin Selectable		DLC		Emergency Driver		
		Lumen Output	Kelvin Selectable	DLC	Premium	Emergency Driver	Emergency Driver	
PNL2X4	50L	LKFS*	5,000/ 4,500/ 3,300lm	3500/ 4000/ 5000K	PRM	Premium	Blank EM5 EM10 EM13	No Emergency Driver 5W Emergency Driver 10W Emergency Driver 13W Emergency Driver

* Field Selectable

PNL 2X4 FLAT PANEL HIGH LUMEN

STANDARD



FEATURES

- Field selectable 3000K, 3500K, 4000K, 5000K & 6500K color temperatures.
- Five selectable lumen levels provide an output ranges between 4,000 to 9,000 nominal lumens.
- Universal 120-277V AC voltage (50-60Hz) is standard.
- Uniform illumination with no visible LED pixilation.
- 0-10VDC dimming drivers are standard.
- Optional Emergency drivers are available
- Steel frame and housing backplate.
- PMMA (Polymethyl methacrylate) LED lenses for optimal light distribution, efficiency and longevity.

WARRANTY & LISTINGS

- cULus listed for damp locations and insulated ceilings in ambient temperatures from -20°C to 45°C (-4°F to 113°F).
- DLC premium approved.
- 5-year warranty of all electronics and housing.

DIMENSIONS

Model	L	W	H	Weight
PNL2X4-98654L	47.7"	23.7"	1.42"	6.6 lbs

ORDERING INFORMATION

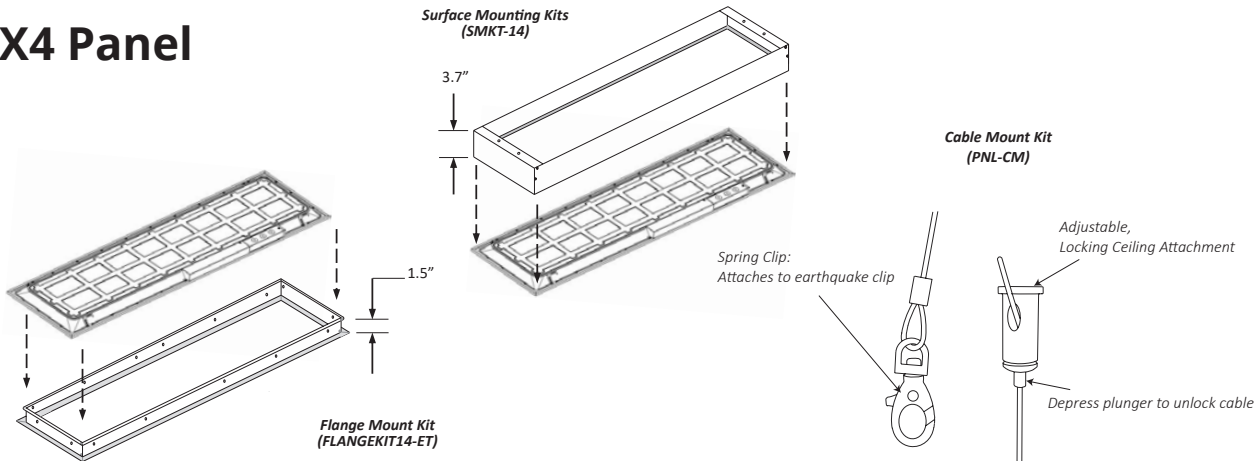
Example: PNL2X4-98654L-5CCT-PRM

Series	Nominal Lumen Output (Selectable)		Kelvin (Selectable)	DLC		Emergency Driver		
	98654L	9,000 / 8,000 / 6,000 / 5,000 / 4,000lm		5CCT	3000 / 3500 / 4000 / 5000 / 6500K	PRM	Premium	EM
PNL2X4	98654L	9,000 / 8,000 / 6,000 / 5,000 / 4,000lm	5CCT	3000 / 3500 / 4000 / 5000 / 6500K	PRM	Premium	EM	Emergency Driver

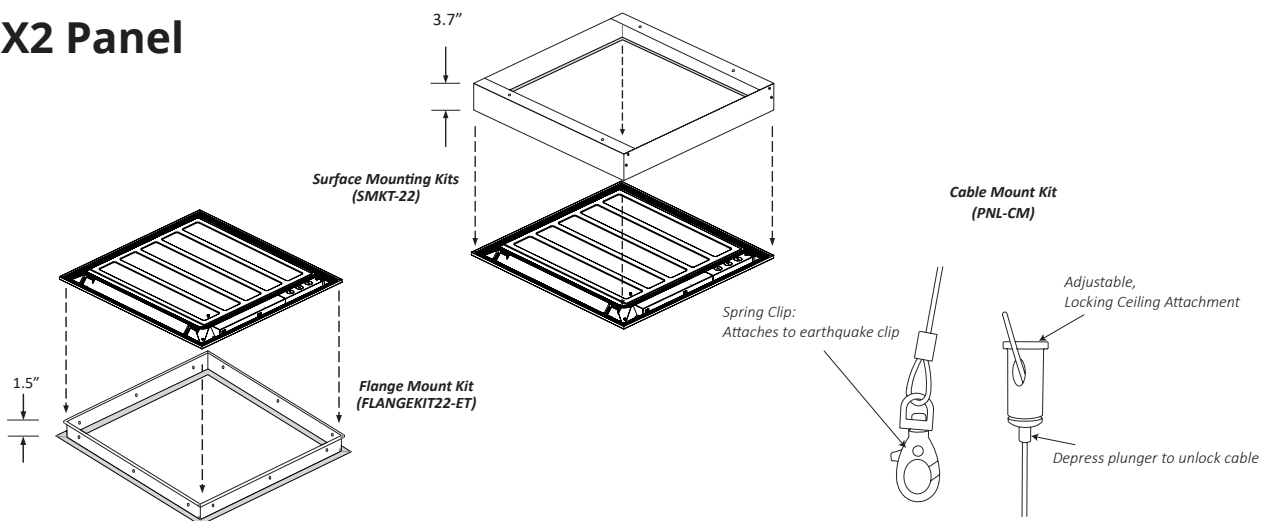
Mounting Methods for PANEL and CENTER BASKET

FLANGE KIT AND SURFACE MOUNT ACCESSORIES AVAILABLE

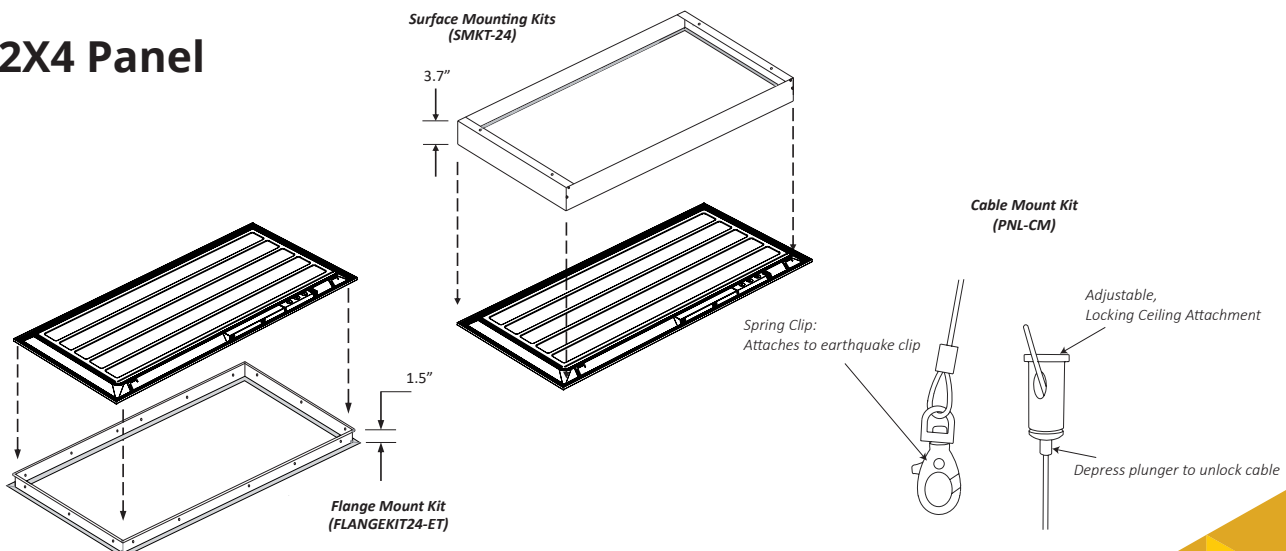
1X4 Panel



2X2 Panel



2X4 Panel



INDOOR

CB24 CENTER BASKET 2X4

STANDARD



FEATURES

- Field selectable 3500k, 4000k & 5000k color temperatures.
- Tri-lumen selectable provides an output range from 4,700 to 6,000 nominal lumens.
- Universal 120-277V AC voltage (50-60Hz) is standard.
- Uniform illumination with no visible LED pixilation.
- 0-10VDC, continuous dimming capability drivers are standard.
- Optional Emergency drivers are available.
- Optional Microwave sensor (factory installed).
- Premium powder-coat steel housing.
- PMMA frosted lens.

WARRANTY & LISTINGS

- cULus listed for damp locations and insulated ceilings in ambient temperatures from -25°C to 50°C (-13°F to 122°F).
- DLC approved.
- 5-year warranty of all electronics and housing.

DIMENSIONS

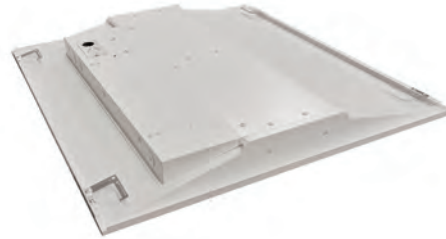
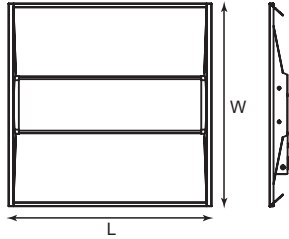
Model	L	W	H	Weight
CB24-6L-LKFS	47.76"	23.74"	2.3"	12.04 lbs

ORDERING INFORMATION

Example: CB24-6L-LKFS-ODS

Series	Nominal Lumen Output (Selectable)		Kelvin (Selectable)		Emergency Driver		Sensor	
CB24	6L	6,000 / 5,200 / 4,700 lm	LKFS*	3500/ 4000/ 5000K	Blank EM5 EM10 EM13	No Emergency Driver 5W Emergency Driver 10W Emergency Driver 13W Emergency Driver	ODS	Factory installed Microwave sensor

* Field Selectable



INDOOR

FEATURES

- Field selectable 3500k, 4000k & 5000k color temperatures.
- Tri-lumen selectable provides an output range from 3,600 to 4,700 nominal lumens.
- Universal 120-277V AC voltage (50-60Hz) is standard.
- Uniform illumination with no visible LED pixilation.
- 0-10VDC, continuous dimming capability drivers are standard.
- Optional Emergency drivers are available
- Optional Microwave sensor (factory installed).
- Premium powder-coat steel housing.
- PMMA frosted lens.

WARRANTY & LISTINGS

- cULus listed for damp locations and insulated ceilings in ambient temperatures from -25°C to 50°C (-13°F to 122°F).
- DLC approved.
- 5-year warranty of all electronics and housing.

DIMENSIONS

Model	L	W	H	Weight
CB22-4L-LKFS	23.74"	23.74"	2.13"	7.25 lbs

ORDERING INFORMATION

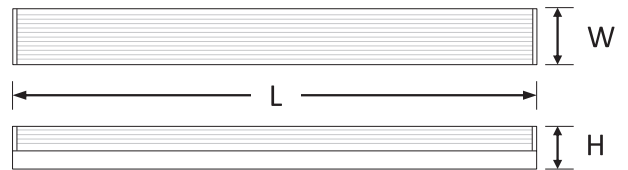
Example: CB22-4L-LKFS-ODS

Series	Nominal Lumen Output (Selectable)		Kelvin (Selectable)		Emergency Driver			Sensor	
CB22	4L	4,700 / 4,200 / 3,600 lm	LKFS*	3500 / 4000 / 5000K	Blank EM5 EM10 EM13	No Emergency Driver 5W Emergency Driver 10W Emergency Driver 13W Emergency Driver	ODS	Factory installed Microwave sensor	

* Field Selectable

SLS SLIM STRIP LIGHT

STANDARD



FEATURES

- Field selectable 3500k, 4000k & 5000k color temperatures.
- Tri-lumen selectable provides an output range from 3,500 to 5,000 nominal lumens for 4-ft, and 7,000 to 10,000 nominal lumens for 8-ft.
- Universal 120-277V AC voltage (50-60Hz) is standard.
- 0-10VDC dimming drivers are standard.
- Optional Emergency drivers are available
- Optional Occupancy sensor (factory installed).
- Steel housing and PMMA lens.

WARRANTY & LISTINGS

- cULus listed for damp locations in ambient temperatures from -20°C to 50°C (-4°F to 122°F).
- DLC approved.
- 5-year warranty of all electronics and housing.

DIMENSIONS

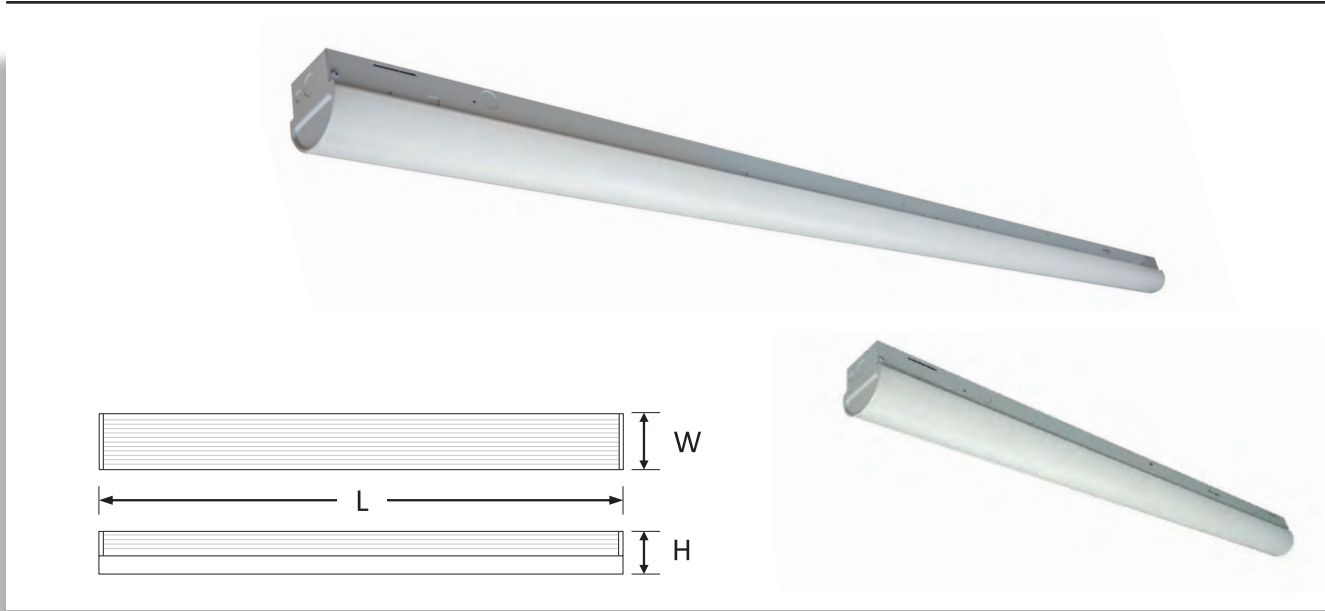
Model	L	W	H	Weight
SLS-4FT-LKFS	47.3"	2.4"	2.8"	3.7 lbs
SLS-8FT-LKFS	94.2"	2.4"	2.8"	7.5 lbs

ORDERING INFORMATION

Example: SLS-4FT-5L-LKFS-OS-EM10

Series	Nominal Lumen Output (Selectable)		Kelvin (Selectable)		Sensor		Emergency Driver	
SLS-4FT	5L	5,000 / 4,300 / 3,600 lm	LKFS*	3500 / 4000 / 5000K	Blank OS	No occupancy sensor Passive infrared	Blank EM10	No Emergency Driver
SLS-8FT	10L	10,000 / 8,800 / 7,500lm					EM13	10W Emergency Driver 13W Emergency Driver

* Field Selectable



FEATURES

- Field selectable 3500k, 4000k & 5000k color temperatures.
- Tri-lumen selectable provides an output range from 3,600 to 5,200 nominal lumens for 4-ft, and 7,100 to 10,000 nominal lumens for 8-ft.
- Universal 120-277V AC voltage (50-60Hz) is standard.
- 0-10VDC dimming drivers are standard.
- Optional Emergency drivers are available
- Optional Occupancy sensor (factory installed).
- Steel housing and PMMA lens.

WARRANTY & LISTINGS

- cULus listed for damp locations in ambient temperatures from -20°C to 50°C (-4°F to 122°F).
- DLC approved.
- 5-year warranty of all electronics and housing.

DIMENSIONS

Model	L	W	H	Weight
SL-4FT-LKFS	47.3"	3.3"	3.5"	4.5 lbs
SL-8FT-LKFS	94.3"	3.3"	3.5"	9.0 lbs

ORDERING INFORMATION

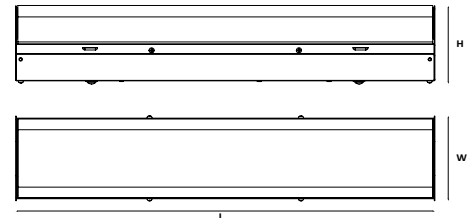
Example: SL-4FT-5L-LKFS-OS-EM10

Series	Nominal Lumen Output (Selectable)		Kelvin (Selectable)		Sensor		Emergency Driver	
SL-4FT	5L	5,200 / 4,300 / 3,600 lm	LKFS*	3500 / 4000 / 5000K	Blank OS ODS	No occupancy sensor Passive infrared Microwave sensor	Blank EM10	No Emergency Driver
SL-8FT	10L	10,000 / 8,500 / 7,100lm					EM13	10W Emergency Driver 13W Emergency Driver

* Field Selectable

SW 2FT STAIRWELL LIGHT

STANDARD



FEATURES

- Field selectable 3500k, 4000k & 5000k color temperatures.
- Tri-lumen selectable provides an output range from 2,100 to 3,300 nominal lumens.
- Universal 120-277V AC voltage (50-60Hz) is standard.
- 0-10VDC dimming drivers are standard.
- Optional Emergency drivers are available
- Optional Occupancy sensor (factory installed).
- Steel housing and PMMA lens.

WARRANTY & LISTINGS

- cULus listed for damp locations in ambient temperatures from -25°C to 50°C (-13°F to 122°F).
- DLC premium approved.
- 5-year warranty of all electronics and housing.

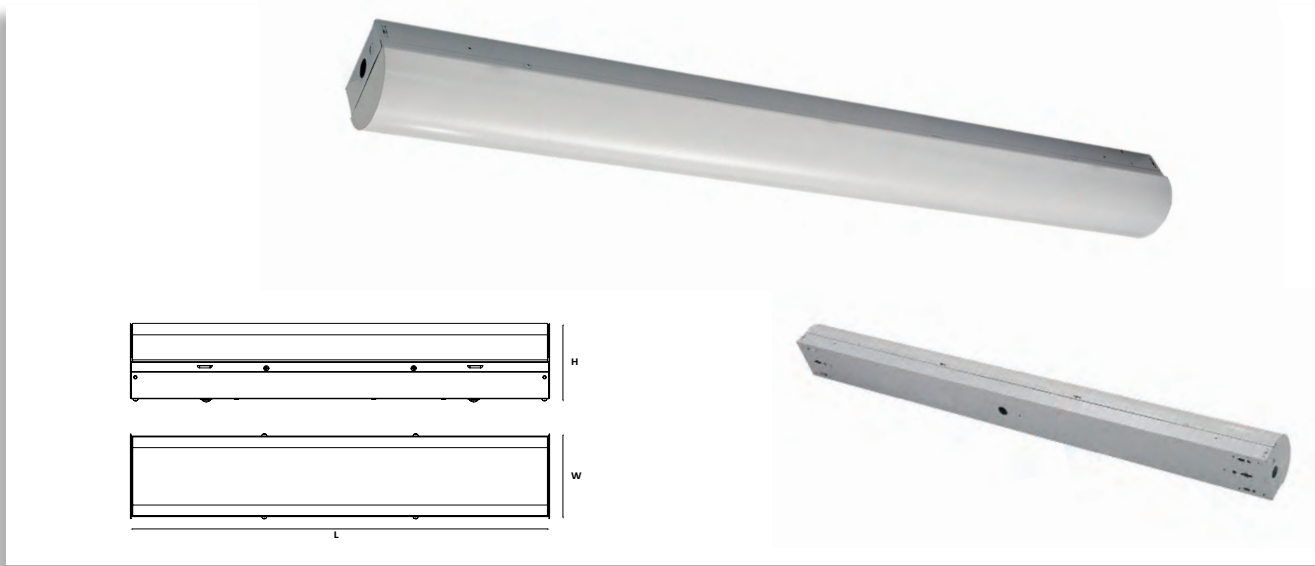
DIMENSIONS

Model	L	W	H	Weight
SW-2FT-332721L	22.25"	4.25"	4"	3.7 lbs

ORDERING INFORMATION

Example: SW-2FT-332721L-3CCT

Series	Nominal Lumen Output (Selectable)		Kelvin (Selectable)		Emergency Driver		Sensor	
SW-2FT	332721L	3,300 / 2,700 / 2,100 lm	3CCT	3500 / 4000 / 5000K	Blank EM5 EM10	No Emergency Driver 5W Emergency Driver 10W Emergency Driver	Blank ODS	No occupancy sensor Microwave sensor



FEATURES

- Field selectable 3500k, 4000k & 5000k color temperatures.
- Tri-lumen selectable provides an output range from 4,200 to 6,000 nominal lumens.
- Universal 120-277V AC voltage (50-60Hz) is standard.
- 0-10VDC dimming drivers are standard.
- Optional Emergency drivers are available
- Optional Occupancy sensor.
- Steel housing and PMMA lens.

WARRANTY & LISTINGS

- cULus listed for damp locations in ambient temperatures from -20°C to 50°C (-4°F to 122°F).
- DLC premium approved.
- 5-year warranty of all electronics and housing.

DIMENSIONS

Model	L	W	H	Weight
SW-LKFS	48"	4.5"	4"	8 lbs

ORDERING INFORMATION

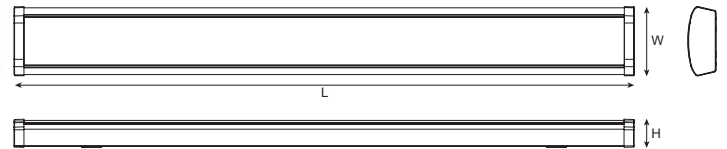
Example: SW-LKFS-ODS

Series	Lumen Output / Kelvin Selectable			Occupancy Sensor + Dimming		Emergency Driver		Accessories	
	Model	6,000 / 4,800 / 4,200lm	3500 / 4000 / 5000K	Blank ODS	No Sensor Microwave sensor	Blank EM5 EM10 EM13	No Emergency Driver 5W Emergency Driver 10W Emergency Driver 13W Emergency Driver	HD03R	Sensor Remote Control
SW	LKFS*	6,000 / 4,800 / 4,200lm	3500 / 4000 / 5000K	Blank ODS	No Sensor Microwave sensor	Blank EM5 EM10 EM13	No Emergency Driver 5W Emergency Driver 10W Emergency Driver 13W Emergency Driver	HD03R	Sensor Remote Control

* Field Selectable

WRE ECONOMY WRAP

STANDARD



FEATURES

- Field selectable 3500k, 4000k & 5000k color temperatures.
- Tri-lumen selectable provides an output range from 4,000 to 6,000 nominal lumens.
- Universal 120-277V AC voltage (50-60Hz) is standard.
- 0-10VDC dimming drivers are standard.
- Steel housing.
- Polycarbonate lens.

WARRANTY & LISTINGS

- cULus listed for damp locations in ambient temperatures from -25°C to 50°C (-13°F to 122°F).
- DLC approved.
- 5-year warranty of all electronics and housing.

DIMENSIONS

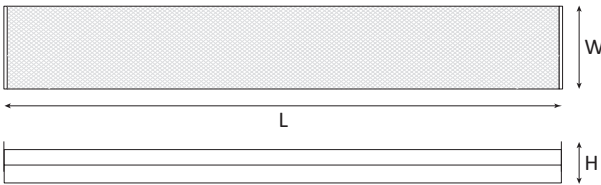
Model	L	W	H	Weight
WRE-6L-LKFS	47.6"	5.4"	2"	3.7 lbs

ORDERING INFORMATION

Example: WRE-6L-LKFS

Series	Nominal Lumen Output (Selectable)		Kelvin (Selectable)	
	WRE	6L	4,000 / 5,000 / 6,000 lm	LKFS*

* Field Selectable



INDOOR

FEATURES

- Field selectable 3500k, 4000k & 5000k color temperatures.
- Tri-lumen selectable provides an output range from 4,100 to 5,800 nominal lumens.
- Universal 120-277V AC voltage (50-60Hz) is standard.
- 0-10VDC dimming drivers are standard.
- Steel housing.
- PMMA lens.

WARRANTY & LISTINGS

- cULus listed for damp locations in ambient temperatures from -20°C to 60°C (-4°F to 140°F).
- DLC approved.
- 5-year warranty of all electronics and housing.

DIMENSIONS

Model	L	W	H	Weight
WR-5L-LKFS	47.7"	7.1"	2.8"	8 lbs

ORDERING INFORMATION

Example: WR-5L-LKFS-ODS-EM10

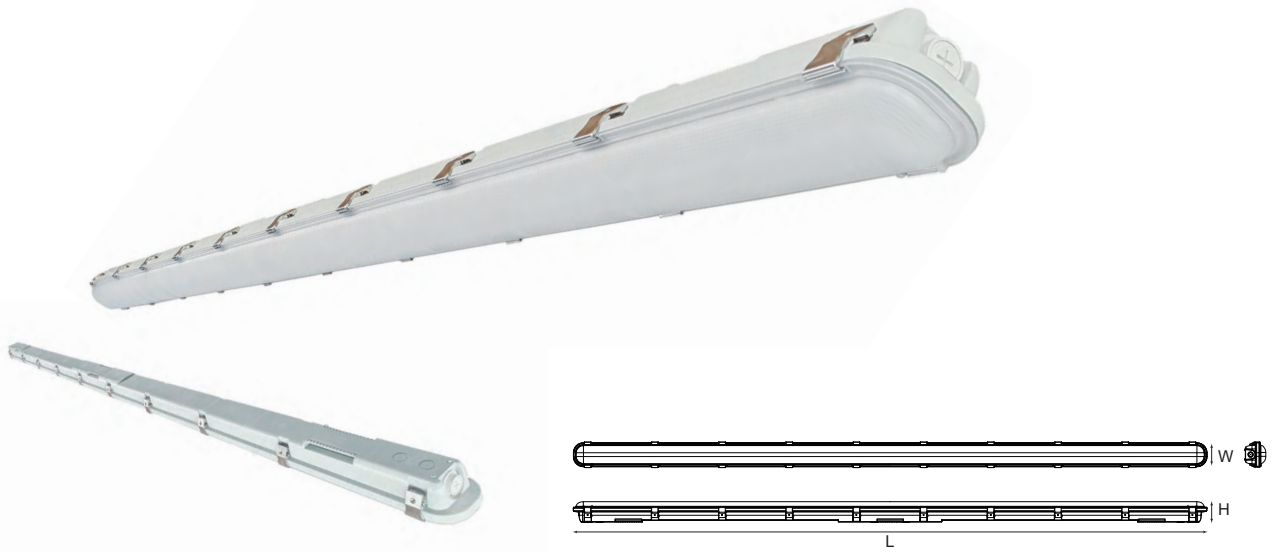
Series	Nominal Lumen Output (Selectable)		Kelvin (Selectable)		Sensor		Emergency Driver	
WR	5L	5,800 / 5,000 / 4,100 lm	LKFS*	3500 / 4000 / 5000K	Blank OS ODS	No occupancy sensor Passive infrared Microwave sensor	Blank EM10 EM13	No Emergency Driver 10W Emergency Driver 13W Emergency Driver

* Field Selectable

VTSR

8FT VAPOR TIGHT SENSOR READY

STANDARD



FEATURES

- Field selectable 3500k, 4000k & 5000k color temperatures.
- Tri-lumen selectable provides an output range from 9,000 to 12,000 nominal lumens.
- Universal 120-277V AC voltage (50-60Hz) is standard.
- 0-10VDC dimming drivers are standard.
- Sensor-ready receptacle comes standard. Screw-in sensor and remote control sold separately.
- Light gray polycarbonate housing with stainless steel latches.
- Polycarbonate Lens.

WARRANTY & LISTINGS

- cULus listed for wet locations in ambient temperatures from -40°C to 50°C (-40°F to 122°F).
- DLC approved.
- 5-year warranty of all electronics and housing.

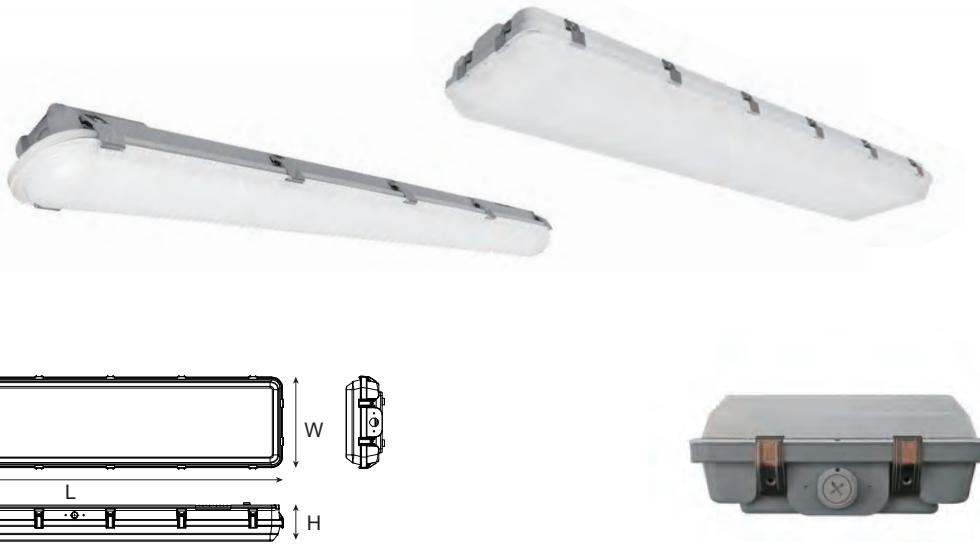
DIMENSIONS

Model	L	W	H	Weight
VTSR-8FT-12109L-3CCT	94.49"	3.74"	3.11"	10.5 lbs

ORDERING INFORMATION

Example: VTSR-8FT-12109L-3CCT

Series	Nominal Lumen Output (Selectable)		Kelvin (Selectable)	
	VTSR-8FT	12109L	12,000 / 10,000 / 9,000 lm	3CCT



INDOOR

FEATURES

- Field selectable 3500k, 4000k & 5000k color temperatures.
- Tri-lumen selectable provides an output range from 5,000 to 7,000 nominal lumens for VTSR-765L; 16,000 to 21,000 nominal lumens for VTSR-211816L.
- Universal 120-277V AC voltage (50-60Hz) is standard.
- 0-10VDC dimming drivers are standard.
- Optional Emergency drivers are available
- Sensor-ready receptacle comes standard. Screw-in sensor and remote control sold separately.
- Light gray polycarbonate housing with stainless steel latches.
- Polycarbonate Lens.

WARRANTY & LISTINGS

- cULus listed for wet locations in ambient temperatures from -40°C to 43°C (-40°F to 109°F).
- DLC approved for VTSR-765L; DLC premium approved for VTSR-211816L.
- 5-year warranty of all electronics and housing.

DIMENSIONS

Model	L	W	H	Weight
VTSR-765L-3CCT	47.24"	3.77"	3.10"	4.64 lbs
VTSR-211816L-3CCT	47.50"	10.48"	4.53"	14.81 lbs

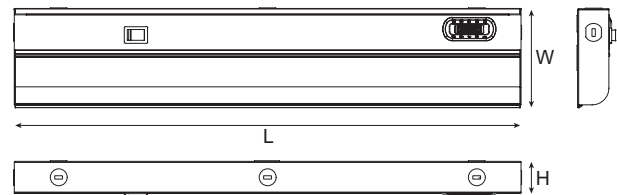
ORDERING INFORMATION

Example: VTSR-765L-3CCT-EM-NSF

Series	Nominal Lumen Output (Selectable)		Kelvin (Selectable)		Emergency Driver		Certification Options	
	VTSR	765L	7,000 / 6,000 / 5,000 lm	3CCT	3500 / 4000 / 5000K	Blank EM10 EM13	No Emergency Driver 10W Emergency Driver 13W Emergency Driver	Blank NSF
	211816L	21,000 / 18,000 / 16,000lm						

UCE ECONOMY UNDER CABINET LIGHT

STANDARD



FEATURES

- Field selectable 2700k, 3000k, 3500k, 4000k & 5000k color temperatures.
- Provide an output range from 300 to 1,500 nominal lumens.
- 120V AC voltage (60Hz) is standard.
- Triac dimming.
- Steel housing.
- Polycarbonate Lens.

WARRANTY & LISTINGS

- cULus listed for damp locations.
- 5-year warranty of all electronics and housing.

DIMENSIONS

Model	L	W	H	Weight
UCE-9-KFS	9"	3.5"	1.0"	0.8 lbs
UCE-12-KFS	12"	3.5"	1.0"	1.0lbs
UCE-18-KFS	18"	3.5"	1.0"	1.3 lbs
UCE-21-KFS	21"	3.5"	1.0"	1.6 lbs
UCE-24-KFS	24"	3.5"	1.0"	1.7 lbs
UCE-33-KFS	33"	3.5"	1.0"	2.4 lbs
UCE-42-KFS	42"	3.5"	1.0"	3.0 lbs

ORDERING INFORMATION

Example: UCE-9-KFS

Series	Length (in)	Kelvin (Selectable)	
UCE	9	KFS*	2700 / 3000 / 3500 / 4000 / 5000K
	12		
	18		
	21		
	24		
	33		
	42		

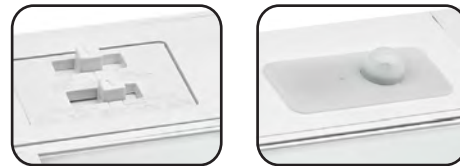
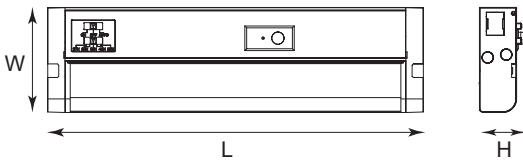
* Field Selectable

STANDARD



UC

UNDER CABINET LIGHT



INDOOR

FEATURES

- Field selectable 2700k, 3000k, 3500k, 4000k & 5000k color temperatures.
- Five models provide an output ranges between 300 to 2,300 nominal lumens.
- 120V AC voltage (60Hz) is standard.
- Triac dimming.
- Integrated PIR sensor is standard.
- Rotatable light bar swivel 65°.
- Two or more lights can be linked.
- Maximum limit of 2A per linking circuit.
- Aluminum Housing and Polycarbonate Lens.

WARRANTY & LISTINGS

- cETLus listed for damp locations in ambient temperatures from -20°C to 45°C (-4°F to 113°F).
- Complies with Title 24.
- 5-year warranty of all electronics and housing.

DIMENSIONS

Model	L	W	H	Weight
UC9-3L-5CCT	8.98"	3.35"	1.51"	1.06 lbs
UC12-8L-5CCT	11.97"	3.35"	1.51"	1.19 lbs
UC18-12L-5CCT	17.99"	3.35"	1.51"	1.33 lbs
UC24-16L-5CCT	23.98"	3.35"	1.51"	1.50 lbs
UC36-23L-5CCT	36.02"	3.35"	1.51"	1.61 lbs

ORDERING INFORMATION

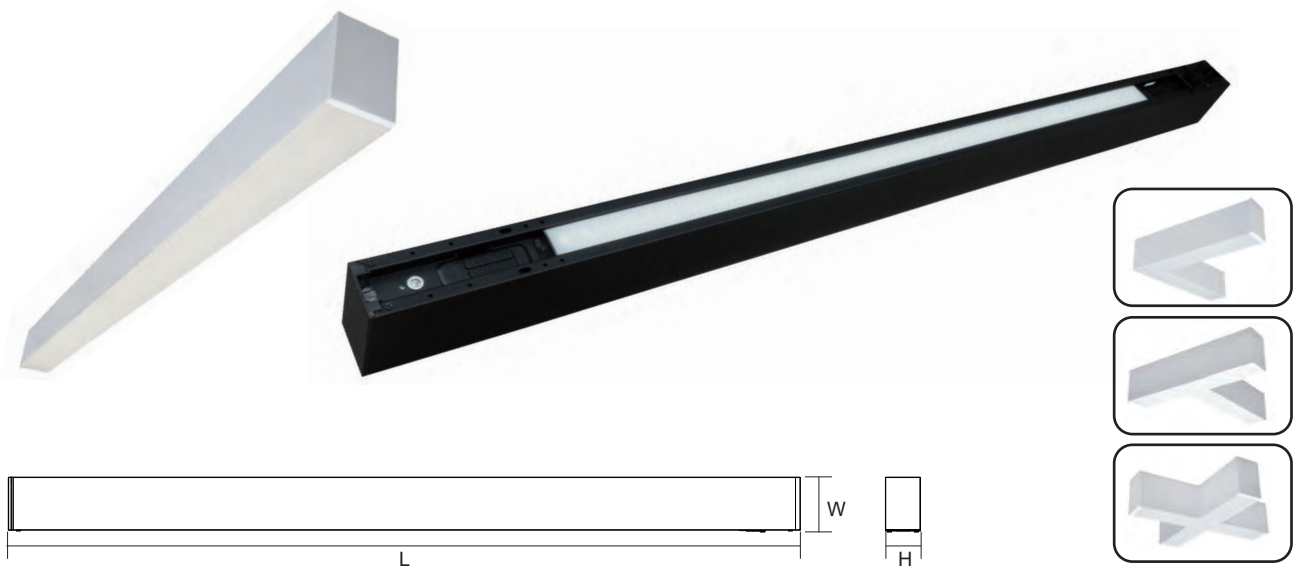
Example: UC9-3L-5CCT

Series	Nominal Lumen Output (Selectable)		Kelvin (Selectable)	
	UC9-3L-5CCT	3L	300 lm	5CCT
UC12-8L-5CCT	8L	800 lm		
UC18-12L-5CCT	12L	1200 lm		
UC24-16L-5CCT	16L	1600 lm		
UC36-23L-5CCT	23L	2300 lm		

ALDI

ARCHITECTURAL LINEAR DIRECT-INDIRECT

STANDARD



FEATURES

- Field selectable 2700k, 3000k, 3500k, 4000k & 5000k color temperatures.
- Four selectable lumen levels provide an output ranges between 2,000 to 5,000 nominal lumens.
- Universal 120-277V AC voltage (50-60Hz) is standard.
- 0-10VDC dimming drivers are standard.
- Toolless linking up to 500W.
- Sheet metal stamping housing.
- PMMA Lens.

WARRANTY & LISTINGS

- cULus listed for damp locations in ambient temperatures from -20°C to 50°C (-4°F to 122°F) when fixture is mounted at least 18" from ceiling; -20°C to 40°C (-4°F to 104°F) when surface mounted.
- 5-year warranty of all electronics and housing.

DIMENSIONS

Model	L	W	H	Weight
ALDI4-5432L-5CCT	48.15"	2.13"	3.33"	5.53 lbs

ORDERING INFORMATION

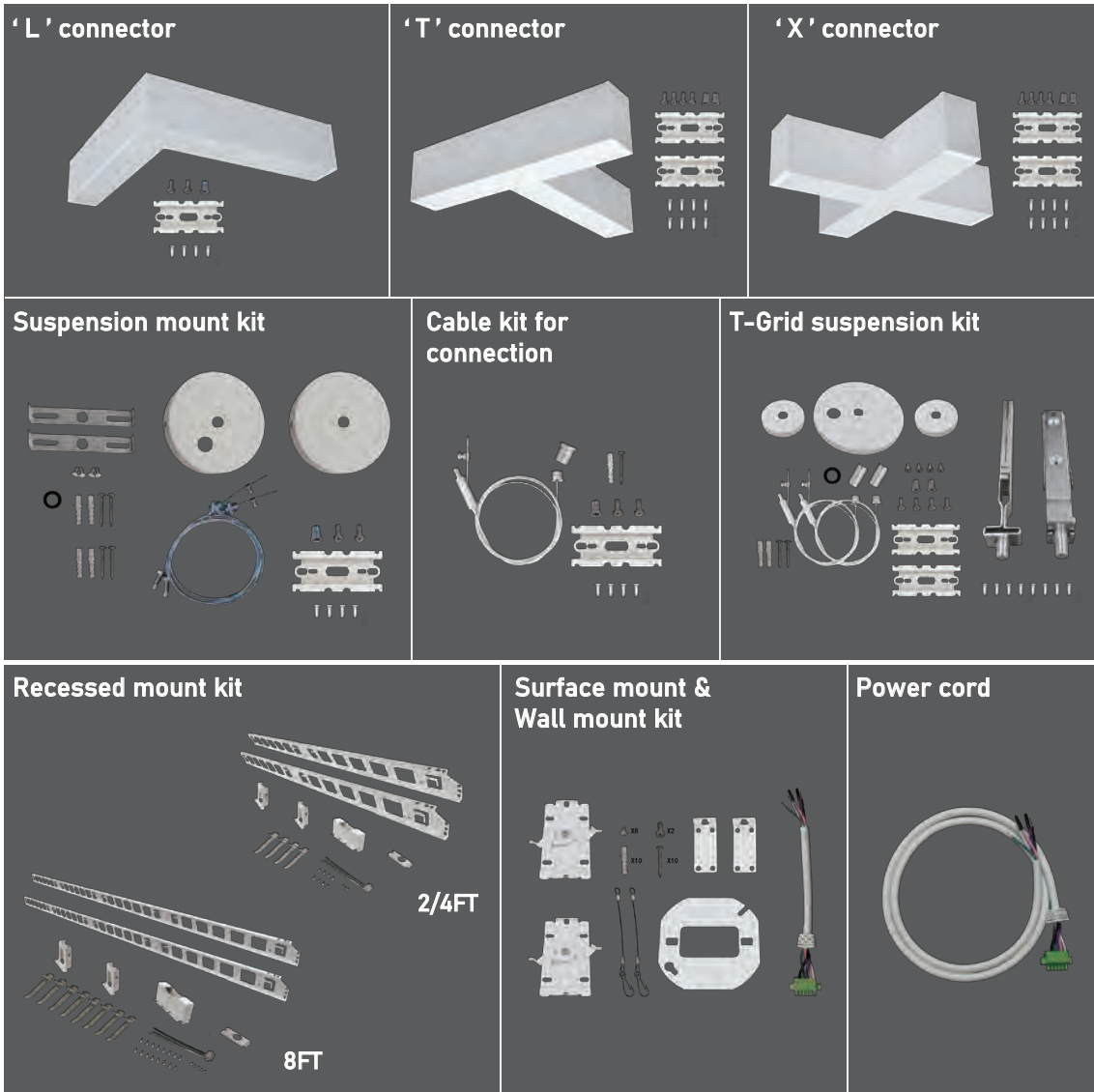
Example: ALDI4-5432L-5CCT-WHT

Series	Nominal Lumen Output (Selectable)		Kelvin (Selectable)	Housing Color		
	Model	Output		Color	Options	
ALDI4	5432L	5,000 / 4,000 / 3,000 / 2,000 lm	5CCT	2700 / 3000 / 3500 / 4000 / 5000K	WHT BLK	White Black

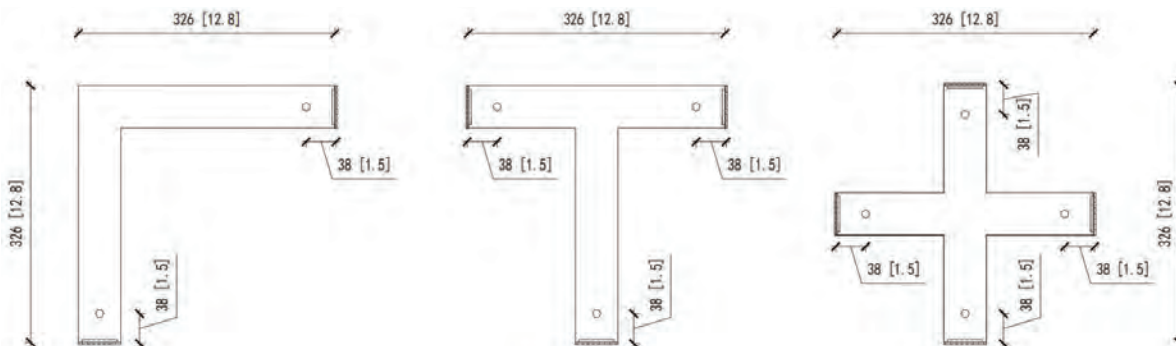
* Field Selectable

ALDI ARCHITECTURAL LINEAR DIRECT-INDIRECT

INSTALLATION ACCESSORIES



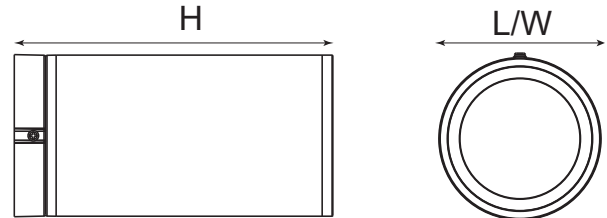
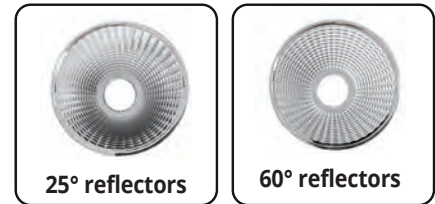
CONNECTORS DIMENSIONS



INDOOR

APEN ARCHITECTURAL PENDANT CYLINDER

STANDARD



FEATURES

- Field selectable 3500k, 4000k & 5000k color temperatures.
- Tri-lumen selectable provides an output range from 1,000 to 2,000 nominal lumens.
- Universal 120-277V AC voltage (50-60Hz) is standard.
- 0-10VDC dimming drivers are standard.
- Fixtures comes installed with 40° reflector.
- Available field replaceable reflectors for 25° and 60°.
- Aluminum housing and Silicon dioxide glass Lens.

WARRANTY & LISTINGS

- cULus listed for wet locations in ambient temperatures from -40°C to 45°C (-40°F to 113°F).
- Energy Star certified.
- 5-year warranty of all electronics and housing.

DIMENSIONS

Model	L	W	H	Weight
APEN4-221L-5CCT-SM	4.17"	4.17"	8.27"	2.39 lbs
APEN4-221L-5CCT-CM	4.17"	4.17"	67.3"	2.58 lbs

ORDERING INFORMATION

Example: APEN4-221L-5CCT-SM

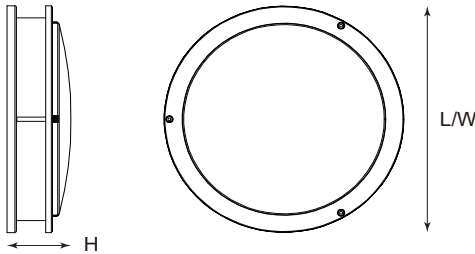
Series	Nominal Lumen Output (Selectable)		Kelvin (Selectable)	Mounting Methods	
	221L	2,000 / 1,600 / 1,000 lm		SM CM	Surface Mounting Cord Mounting
APEN4	221L	2,000 / 1,600 / 1,000 lm	5CCT	2700 / 3000 / 3500 / 4000 / 5000K	SM CM

STANDARD



DRS

DOUBLE RING CEILING LIGHT



INDOOR

FEATURES

- Field selectable 2700k, 3000k, 3500k, 4000k & 5000k color temperatures.
- Five models provides an output range from 1,100 to 2,000 nominal lumens.
- 120V AC voltage (60Hz) is standard.
- Triac Dimming.
- Brushed Nickel steel, white housing.
- Plastic diffuser.

WARRANTY & LISTINGS

- cETLus listed for damp locations.
- Complies with Title 24.
- 5-year warranty of all electronics and housing.

DIMENSIONS

Model	L	W	H	Weight
DRS10-11L-5CCT	10.24"	10.24"	2.52"	2.21 lbs
DRS12-14L-5CCT	11.81"	11.81"	2.52"	2.65 lbs
DRS14-15L-5CCT	13.79"	13.79"	2.56"	2.98 lbs
DRS16-17L-5CCT	15.77"	15.77"	2.72"	3.09 lbs
DRS18-52L-5CCT	17.72"	17.72"	3.23"	3.54 lbs

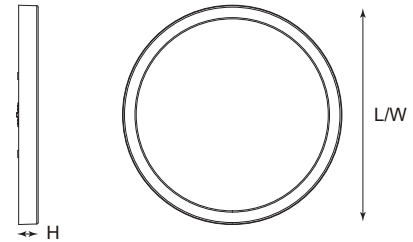
ORDERING INFORMATION

Example: DRS12-14L-5CCT

Series	Nominal Lumen Output (Selectable)		Kelvin (Selectable)	
	DRS10	11L	1,100 lm	5CCT
DRS12	14L	1,400 lm		
DRS14	15L	1,500 lm		
DRS16	17L	1,700 lm		
DRS18	20L	2,000 lm		

DL ROUND FLAT DISK LIGHT

STANDARD



FEATURES

- Field selectable 2700k, 3000k, 3500k, 4000k & 5000k color temperatures.
- Five models provides an output range from 800 to 2,200 nominal lumens.
- 120V AC voltage (60Hz) is standard.
- Triac dimming.
- Die casting aluminum and plastic diffuser, optional color trim ring accessories (Black and Brushed Nickel).

WARRANTY & LISTINGS

- cETLus listed for wet locations.
- Energy Star certified, excludes DL11-20L-5CCT and DL13-22L-5CCT.
- Complies with Title 24.
- 5-year warranty of all electronics and housing.

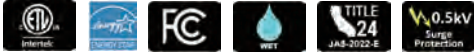
DIMENSIONS

Model	L	W	H	Weight
DL5-8L-5CCT	5.51"	5.51"	0.79"	0.99 lbs
DL7-12L-5CCT	7.48"	7.48"	0.79"	1.33 lbs
DL9-14L-5CCT	8.86"	8.86"	0.79"	1.55 lbs
DL11-20L-5CCT	10.98"	10.98"	0.98"	1.77 lbs
DL13-22L-5CCT	12.80"	12.80"	0.98"	2.10 lbs

ORDERING INFORMATION

Example: DL5-8L-5CCT

Series	Nominal Lumen Output		Kelvin (Selectable)	
	DL5	8L	800 lm	5CCT
DL7	12L	1200 lm		
DL9	14L	1400 lm		
DL11	20L	2000 lm		
DL13	22L	2200lm		



INDOOR

FEATURES

- Field selectable 2700k, 3000k, 3500k, 4000k & 5000k color temperatures.
- DK4-8L-KFS provide an output 800 nominal lumens.
- DK6-10L-KFS provides an output 1,000 nominal lumens.
- 120V AC voltage (60Hz) is standard.
- Triac dimming.
- Premium powder-coat steel and polycarbonate diffuser.

WARRANTY & LISTINGS

- cULus listed for wet locations.
- Energy Star certified.
- Complies with Title 24.
- 5-year warranty of all electronics and housing.

DIMENSIONS

Model	L	W	H	Weight
DK4-8L-KFS	5.87"	5.87"	0.87"	0.35 lbs
DK6-10L-KFS	7.22"	7.22"	0.90"	0.49 lbs

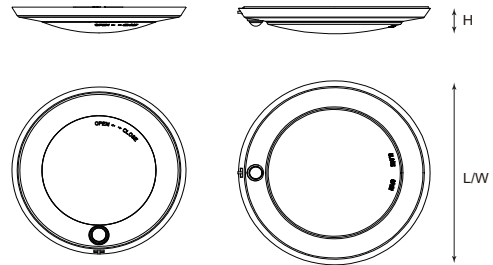
ORDERING INFORMATION
Example: DK4-8L-KFS

Series	Nominal Lumen Output (Selectable)		Kelvin (Selectable)	
	DK4	8L	800 lm	KFS*
DK6	10L	1000 lm		

* Field Selectable

DK-OS DISK LIGHT WITH PIR SENSOR

STANDARD



FEATURES

- Field selectable 2700k, 3000k, 3500k, 4000k & 5000k color temperatures.
- DK4-8L-KFS-OS provide an output 800 nominal lumens.
- DK6-10L-KFS-OS provide an output 1,000 nominal lumens.
- 120V AC voltage (60Hz) is standard.
- Triac dimming.
- Integrated PIR occupancy sensor is standard.
- Sensor hold-time adjustable by switch.
- Premium powder-coat steel and polycarbonate diffuser.

WARRANTY & LISTINGS

- cETLus listed for wet locations.
- Energy Star certified.
- Complies with Title 24.
- 5-year warranty of all electronics and housing.

DIMENSIONS

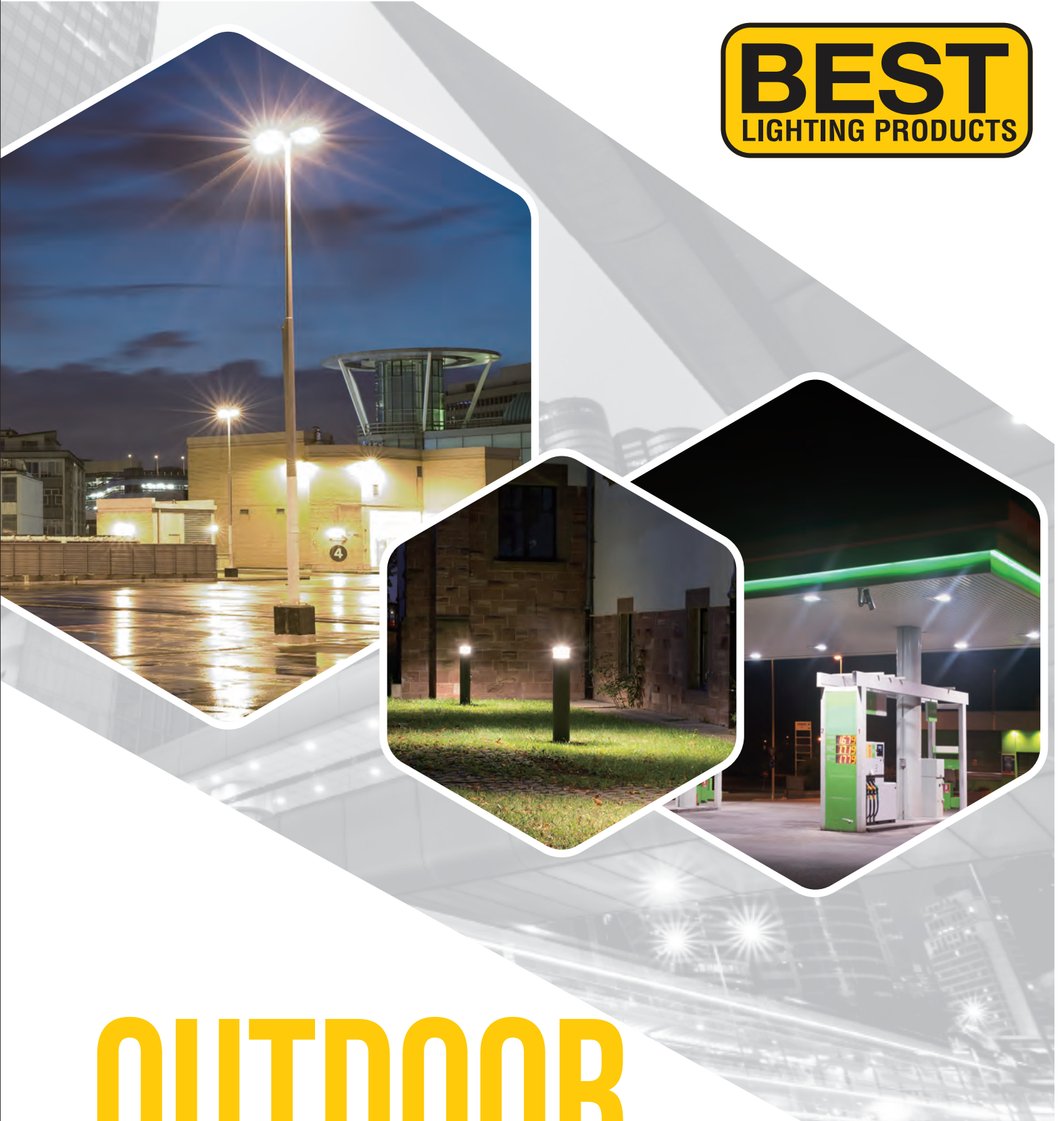
Model	L	W	H	Weight
DK4-8L-KFS-OS	6.02"	6.02"	0.93"	0.33 lbs
DK6-10L-KFS-OS	7.40"	7.40"	1.03"	0.53 lbs

ORDERING INFORMATION

Example: DK4-8L-KFS-OS

Series	Nominal Lumen Output (Selectable)		Kelvin (Selectable)	
	DK4	8L	800 lm	KFS
DK6	10L	1000 lm		

BEST
LIGHTING PRODUCTS



OUTDOOR PRODUCTS

MPALSR MULTI-PURPOSE AREA LUMINAIRE

STANDARD



FEATURES

- Universal 120-277V or 277-480V AC voltage (50-60Hz) with 6-foot incoming power cords.
- Two models deliver a range from 12,000 to 40,000 nominal lumens.
- Field selectable 3000K, 4000K & 5000K color temperatures.
- Sensor-ready receptacle comes standard. Screw-in sensor and remote control sold separately.
- 0-10VDC dimming drivers are standard.
- Watertight, compression-type electrical connectors.
- IES roadway distributions available type III or Type V.
- Premium powder-coat, diecast aluminum, bronze housing with polycarbonate lens.

WARRANTY & LISTINGS

- cULus listed for wet locations in ambient temperatures from -40°C to 50°C (-40°F to 122°F).
- DLC premium approved.
- 5-year warranty of all electronics and housing.

ORDERING INFORMATION

Example: MPALSR-241812L-3CCT-T3-UNC-PR

Series	Nominal Lumen Output (Selectable)		Kelvin (Selectable)		Distribution		Input Voltage		Installed Options	
MPALSR	241812L	24,000 / 18,000 / 12,000 lm	3CCT	3000 / 4000 / 5000K	T3 T5	Type III Type V	Blank UNC	120-277V 277-480V	PR	3-Pin NEMA photocell receptacle
	403224L	40,000 / 32,000 / 24,000lm								

MPALSR MULTI-PURPOSE AREA LUMINAIRE

MOUNTING METHODS



MPALSR-ARM-A



MPALSR-SF



MPALSR-SF-ARM



MPALSR-TM



MPALSR-YOKE

Note: Various pole adaptor accessories available, consult the spec sheet at www.bestlighting.net.

PHOTOCELL AND SENSORS

3-PIN NEMA
PHOTOCELL
26WA86 (480V)



3-PIN NEMA
PHOTOCELL
JL-205C23-IP65



RCA JACK
PHOTOCELL
HD07VR-A-1



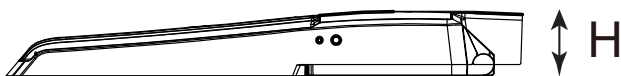
Passive Infrared
SENSOR
HD09VR-PH5-1



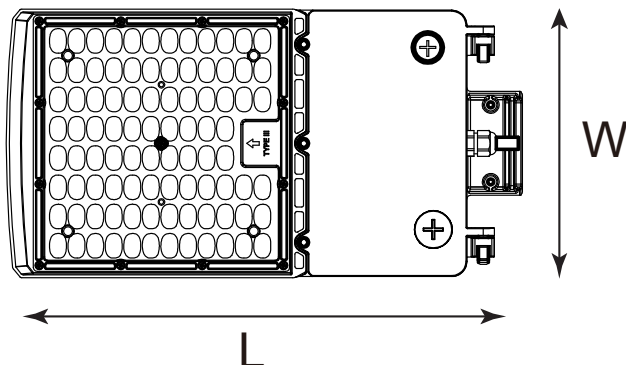
Microwave
SENSOR
HD09VR-MH5-1



DIMENSIONS



Model	L	W	H	Weight
MPALSR-241812L	16.63"	8.66"	2.07"	5.59 lbs
MPALSR-403224L	20.05"	11.89"	2.07"	8.24 lbs



OUTDOOR

MPALDSR

MULTI-PURPOSE AREA LUMINAIRE

DISTRIBUTION SELECTABLE

STANDARD



FEATURES

- Universal 120-277V AC voltage (50-60Hz) is standard.
- Two models deliver a range from 15,000 to 40,000 nominal lumens.
- Field selectable 3000K, 4000K & 5000K color temperatures.
- Sensor-ready receptacle comes standard. Screw-in sensor and remote control sold separately.
- 0-10VDC dimming drivers are standard.
- Watertight, compression-type electrical connectors.
- Distribution selectable. Standard optic provides type III / IV / V distributions.
- Premium powder-coat, diecast aluminum, bronze housing with polycarbonate lens.

WARRANTY & LISTINGS

- cULus listed for wet locations in ambient temperatures from -40°C to 50°C (-40°F to 122°F).
- DLC premium approved.
- 5-year warranty of all electronics and housing.

ORDERING INFORMATION

Example: MPALDSR-242115L-3CCT-PR

Series	Nominal Lumen Output (Selectable)		Kelvin (Selectable)		Installed Options	
MPALDSR	242115L	24,000 / 21,000 / 15,000 lm	3CCT	3000 / 4000 / 5000K	PR	3-Pin NEMA photocell receptacle
	403530L	40,000 / 35,000 / 30,000lm				

MPALDSR

MULTI-PURPOSE AREA LUMINAIRE

DISTRIBUTION SELECTABLE

MOUNTING METHODS



MPALDSR-ARM-A



MPALDSR-ARM



MPALDSR-SF



MPALDSR-TM



MPALDSR-YOKE

Note: Various pole adaptor accessories available, consult the spec sheet at www.bestlighting.net.

PHOTOCELL AND SENSORS



3-PIN NEMA
PHOTOCELL
26WA86 (480V)



3-PIN NEMA
PHOTOCELL
JL-205C23-IP65



RCA JACK
PHOTOCELL
HD07VR-A-1

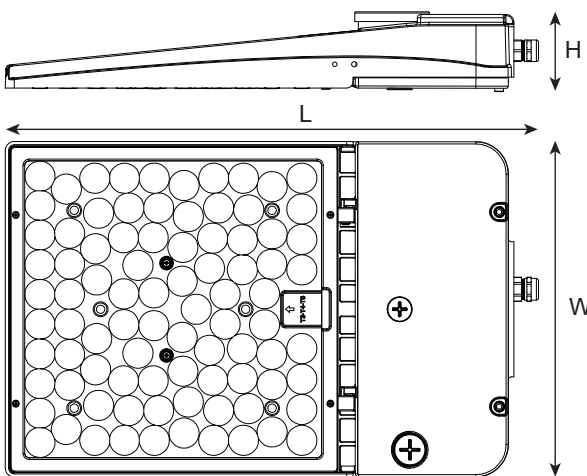


Passive Infrared
SENSOR
HD09VR-PH5-1



Microwave
SENSOR
HD09VR-MH5-1

DIMENSIONS



Model	L	W	H	Weight
MPALDSR-242115L	18.52"	12.22"	2.8"	10.48 lbs
MPALDSR-403530L	21.26"	13.68"	2.83"	12.69 lbs

OUTDOOR

MPAL MULTI-PURPOSE AREA LUMINAIRE

STANDARD



FEATURES

- Universal 120-277V AC voltage (50-60Hz) is standard.
- Two models deliver a range from 3,000 to 16,000 nominal lumens.
- Field selectable 3500K, 4000K & 5000K color temperatures.
- 0-10VDC dimming drivers are standard.
- Watertight, compression-type electrical connectors.
- Knuckle mounting is standard.
- Premium powder-coat, diecast aluminum, bronze housing with polycarbonate lens.

WARRANTY & LISTINGS

- cULus listed for wet locations in ambient temperatures from -40°C to 50°C (-40°F to 122°F).
- DLC approved.
- 5-year warranty of all electronics and housing.

ORDERING INFORMATION

Example: MPAL-863L-3CCT

Series	Nominal Lumen Output (Selectable)		Kelvin (Selectable)	
	MPAL	863L	8,000 / 6,000 / 3,000 lm	3CCT
	16129L	16,000 / 12,000 / 9,000lm		

MPAL MULTI-PURPOSE AREA LUMINAIRE

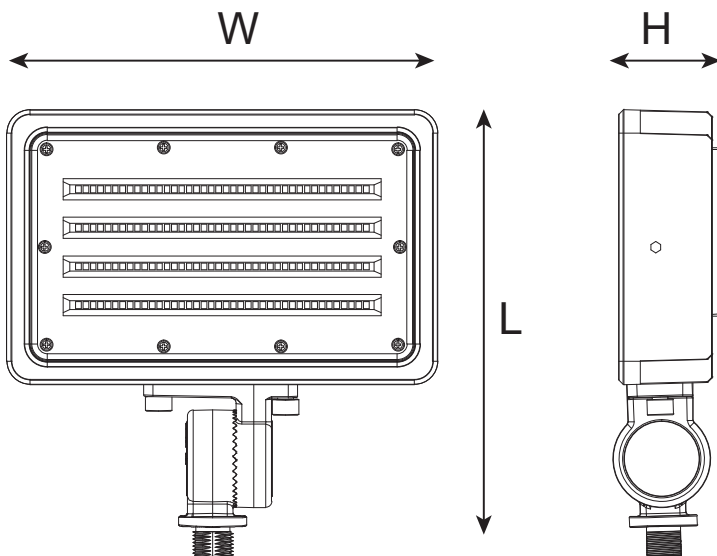
MOUNTING METHODS



* The adapter plate is required to use arms and slip fitter
Knuckle Mounting is standard.
Other mounting methods sold separately.

DIMENSIONS

Model	L	W	H	Weight
MPAL-863L	9.00"	8.70"	2.17"	4.54 lbs
MPAL-16129L	10.16"	10.12"	2.20"	5.20 lbs



OUTDOOR

MPAL

MULTI-PURPOSE AREA LUMINAIRE

STANDARD



FEATURES

- Universal 120-277V AC voltage (50-60Hz) is standard.
- Tri-models deliver a range from 2,000 to 7,000 nominal lumens.
- Field selectable 3500K, 4000K & 5000K color temperatures.
- 0-10VDC dimming drivers are standard.
- Watertight, compression-type electrical connectors.
- Standard optic provides type V distributions, or a 7V (vertical) x 7H (horizontal) NEMA floodlight distribution.
- Knuckle mounting is standard.
- Premium powder-coat, diecast aluminum, bronze housing with polycarbonate lens.

WARRANTY & LISTINGS

- cULus listed for wet locations in ambient temperatures from -40°C to 50°C (-40°F to 122°F).
- DLC premium approved.
- 5-year warranty of all electronics and housing.

ORDERING INFORMATION

Example: MPAL-2L-KFS

Series	Nominal Lumen Output (Selectable)		Kelvin (Selectable)	
MPAL	2L	2,000 lm	KFS*	3500 / 4000 / 5000K
	4L	4,000 lm		
	7L	7,000 lm		

* Field Selectable

MPAL MULTI-PURPOSE AREA LUMINAIRE

MOUNTING METHODS



Knuckle Mounting



MPAL-KFS-YKL



CM-R

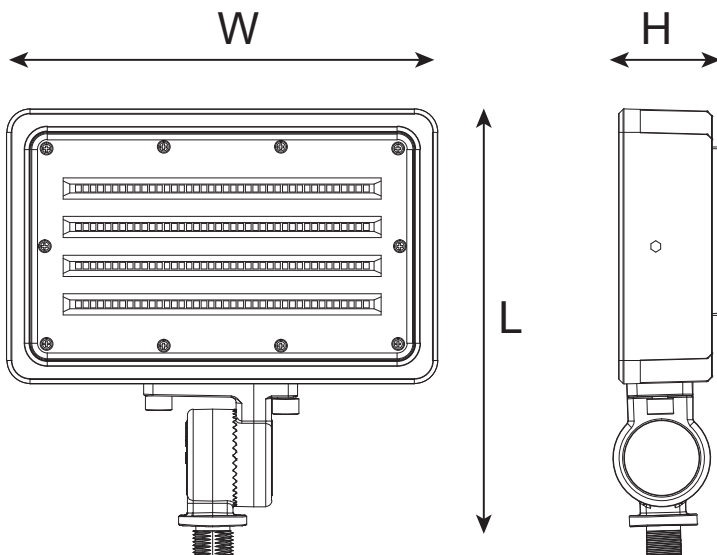


MPOST17

* Knuckle Mounting is standard.
Yoke mounting available for 4L & 7L only .
Other mounting methods sold separately.

DIMENSIONS

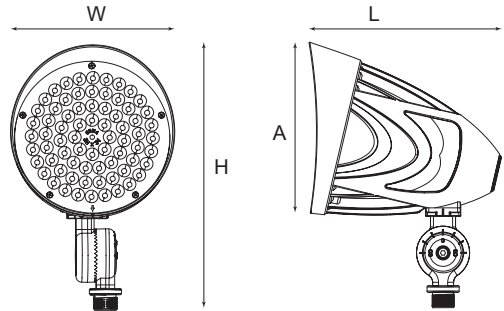
Model	L	W	H	Weight
MPAL-2L-KFS	5.8"	4.3"	1.7"	1 lbs
MPAL-4L-KFS	9"	8.7"	1.9"	4 lbs
MPAL-7L-KFS	9"	8.7"	1.9"	4 lbs



OUTDOOR

BF BULLET FLOOD LIGHT

STANDARD



FEATURES

- Universal 120-277V AC voltage (50-60Hz) is standard.
- Selectable output delivered lumens from 3,000 to 4,500 nominal lumens.
- Field selectable 3000K, 4000K & 5000K color temperatures.
- Integrated photocell is standard. Photocell can be enabled or disabled by switch.
- 0-10VDC dimming drivers are standard.
- Beam angle 3H3V distribution.
- Premium powder-coat, diecast aluminum, bronze housing with polycarbonate lens.

WARRANTY & LISTINGS

- cULus listed for wet locations in ambient temperatures from -40°C to 45°C (-40°F to 113°F).
- DLC premium approved.
- 5-year warranty of all electronics and housing.

DIMENSIONS

Model	L	W	A	H	Weight
BF-453730L-3CCT	6.42"	5.51"	5.79"	8.9"	2.41 lbs

ORDERING INFORMATION

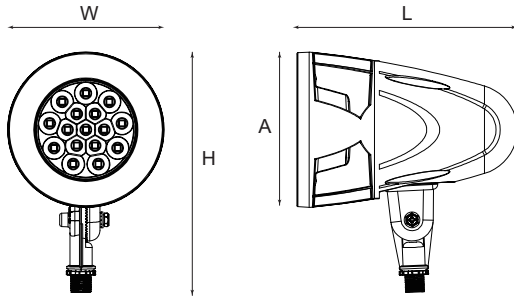
Example: BF-453730L-3CCT

Series	Nominal Lumen Output (Selectable)		Kelvin (Selectable)	
	BF	453730L	4,500 / 3,700 / 3,000 lm	3CCT

STANDARD



BFHL BULLET FLOOD HIGH LUMEN LIGHT



FEATURES

- Universal 120-277V AC voltage (50-60Hz) is standard.
- 9,000 nominal lumens, 82W.
- 5000K color temperature.
- 0-10VDC dimming drivers are standard.
- Beam angle 2H2V distribution.
- Premium powder-coat, diecast aluminum, bronze housing with glass lens.

WARRANTY & LISTINGS

- cULus listed for wet locations in ambient temperatures from -40°C to 40°C (-40°F to 104°F).
- 5-year warranty of all electronics and housing.

DIMENSIONS

Model	L	W	A	H	Weight
BFHL-9L-5K	8.5"	6"	6"	9.3"	5.1 lbs

ORDERING INFORMATION

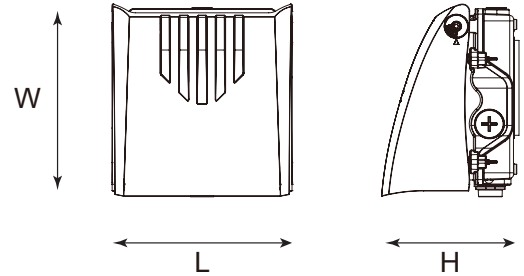
Example: BFHL-9L-5K

Series	Nominal Lumen Output		Kelvin
BFHL	9L	9,000 lm	5000K

OUTDOOR

WPASR ADJUSTABLE WALL PACK

STANDARD



FEATURES

- Universal 120-277V AC voltage (50-60Hz) is standard.
- Two models deliver a range from 3,000 to 12,000 nominal lumens.
- Field selectable 3000K, 4000K & 5000K color temperatures.
- Sensor-ready receptacle comes standard. Screw-in sensor and remote control sold separately.
- Integrated photocell is standard. Photocell can be enabled or disabled by switch.
- 0-10VDC dimming drivers are standard.
- Adjustable housing up to 90°.
- Premium powder-coat, diecast aluminum, bronze housing with polycarbonate lens.

WARRANTY & LISTINGS

- cULus listed for wet locations in ambient temperatures from -40°C to 50°C (-40°F to 122°F).
- DLC premium approved.
- 5-year warranty of all electronics and housing.

DIMENSIONS

Model	L	W	H	Weight
WPASR-6543L	7.72"	8.37"	5.8"	3.73 lbs
WPASR-121086L	7.72"	8.37"	5.8"	3.85 lbs

ORDERING INFORMATION

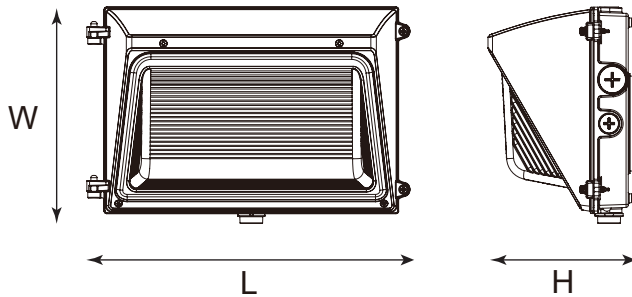
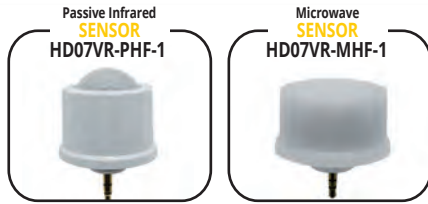
Example: WPASR-121086L-3CCT

Series	Nominal Lumen Output (Selectable)		Kelvin (Selectable)		Emergency Driver	
WPASR	6543L	6,000 / 5,000 / 4,000 / 3,000 lm	3CCT	3000 / 4000 / 5000K	EM4	4W Emergency Driver
	121086L	12,000 / 10,000 / 8,000 / 6,000lm				

STANDARD



WPTSR TRADITIONAL WALL PACK



FEATURES

- Universal 120-277V AC voltage (50-60Hz) is standard.
- Two models deliver a range from 4,000 to 17,000 nominal lumens.
- Field selectable 3000K, 4000K & 5000K color temperatures.
- Sensor-ready receptacle comes standard. Screw-in sensor and remote control sold separately.
- Integrated photocell is standard. Photocell can be enabled or disabled by switch.
- 0-10VDC dimming drivers are standard.
- Premium powder-coat, diecast aluminum, bronze housing with prismatic glass lens.

WARRANTY & LISTINGS

- cULus listed for wet locations in ambient temperatures from -40°C to 50°C (-40°F to 122°F).
- DLC premium approved.
- 5-year warranty of all electronics and housing.

DIMENSIONS

Model	L	W	H	Weight
WPTSR-8654L	14.47"	6.45"	9.25"	7.07 lbs
WPTSR-1715129L	14.47"	6.45"	9.25"	7.29 lbs

ORDERING INFORMATION

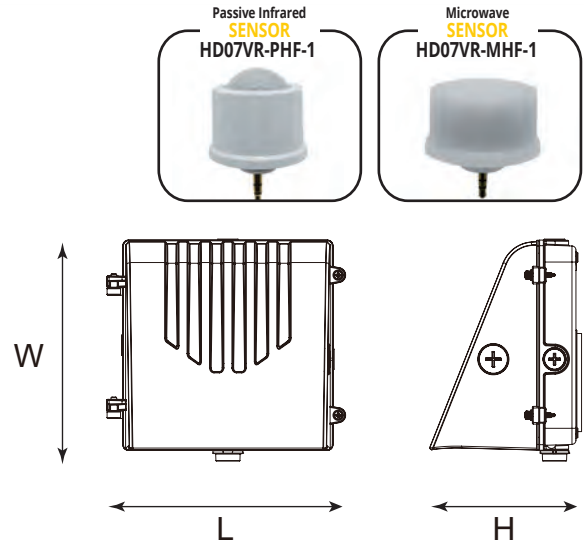
Example: WPTSR-8654L-3CCT

Series	Nominal Lumen Output (Selectable)		Kelvin (Selectable)		Emergency Driver	
	WPTSR	8654L	8,000 / 6,000 / 5,000 / 4,000 lm	3CCT	3000 / 4000 / 5000K	EM8
	1715129L	17,000 / 15,000 / 12,000 / 9,000lm				

OUTDOOR

WPFC FULL CUTOFF WALL PACK

STANDARD



FEATURES

- Universal 120-277V AC voltage (50-60Hz) is standard.
- Two models deliver a range from 5,000 to 17,000 nominal lumens.
- Field selectable 3000K, 4000K & 5000K color temperatures.
- Sensor-ready receptacle comes standard. Screw-in sensor and remote control sold separately.
- Integrated photocell is standard. Photocell can be enabled or disabled by switch.
- 0-10VDC dimming drivers are standard.
- Premium powder-coat, diecast aluminum, bronze housing with polycarbonate lens.

WARRANTY & LISTINGS

- cULus listed for wet locations in ambient temperatures from -40°C to 50°C (-40°F to 122°F).
- DLC premium approved.
- 5-year warranty of all electronics and housing.

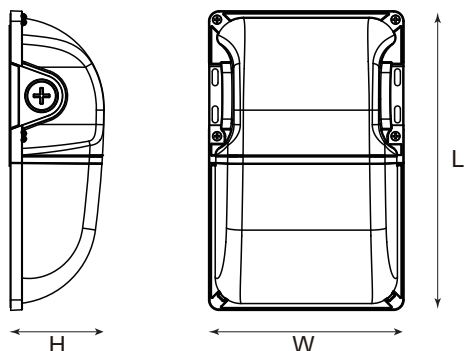
DIMENSIONS

Model	L	W	H	Weight
WPFCSR-9865L	10.06"	8.86"	6.25"	3.98 lbs
WPFCSR-17151310L	14.49"	9.25"	6.44"	5.97 lbs

ORDERING INFORMATION

Example: WPFCSR-9865L-3CCT

Series	Nominal Lumen Output (Selectable)		Kelvin (Selectable)		Emergency Driver	
	WPFCSR	9865L	9,000 / 8,000 / 6,000 / 5,000 lm	3CCT	3000 / 4000 / 5000K	EM8
17151310L		17,000 / 15,000 / 13,000 / 10,000lm				



FEATURES

- Universal 120-277V AC voltage (50-60Hz) is standard.
- Selectable output delivered lumens from 2,000 to 4,000 nominal lumens.
- Field selectable 3000K, 4000K & 5000K color temperatures.
- Integrated photocell is standard. Photocell can be enabled or disabled by switch.
- 0-10VDC dimming drivers are standard.
- Premium powder-coat, polycarbonate, bronze housing with polycarbonate lens.

WARRANTY & LISTINGS

- cULus listed for wet locations in ambient temperatures from -40°C to 50°C (-40°F to 122°F).
- DLC premium approved.
- 5-year warranty of all electronics and housing.

DIMENSIONS

Model	L	W	H	Weight
WPE-432L	9.06"	5.91"	2.87"	1.48 lbs

ORDERING INFORMATION

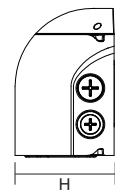
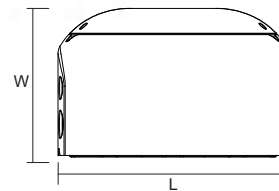
Example: WPE-432L-3CCT

Series	Nominal Lumen Output (Selectable)		Kelvin (Selectable)	
	WPE	432L	4,000 / 3,000 / 2,000 lm	3CCT

WPHM

HALF MOON FULL CUTOFF WALL PACK

STANDARD



FEATURES

- Universal 120-277V AC voltage (50-60Hz) is standard.
- Two models deliver a range from 5,000 to 13,000 nominal lumens.
- Field selectable 3000K, 4000K & 5000K color temperatures.
- Integrated photocell is standard. Photocell can be enabled or disabled by switch.
- 0-10VDC dimming drivers are standard.
- Premium powder-coat, diecast aluminum, bronze housing with polycarbonate lens.

WARRANTY & LISTINGS

- cULus listed for wet locations in ambient temperatures from -40°C to 50°C (-40°F to 122°F).
- DLC premium approved.
- 5-year warranty of all electronics and housing.

DIMENSIONS

Model	L	W	H	Weight
WPHM-875L	10.46"	6.76"	4.51"	3.8 lbs
WPHM-13108L	13.98"	8.72"	6.04"	6.41 lbs

ORDERING INFORMATION

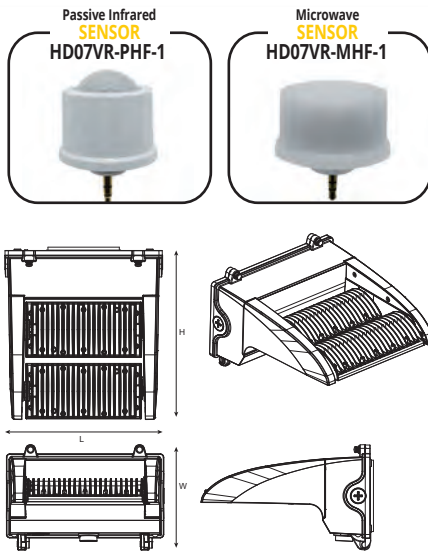
Example: WPHM-875L-3CCT

Series	Nominal Lumen Output (Selectable)		Kelvin (Selectable)	
	WPHM	875L	8,000 / 7,000 / 5,000 lm	3CCT
	13108L	13,000 / 10,000 / 8,000 lm		

STANDARD



WPRSR ROTATABLE WALL PACK



FEATURES

- Universal 120-277V AC voltage (50-60Hz) is standard.
- Four lumens selectable output delivered from 10,000 to 19,000 nominal lumens.
- Field selectable 3000K, 4000K & 5000K color temperatures.
- Sensor-ready receptacle comes standard. Screw-in sensor and remote control sold separately.
- Integrated photocell is standard. Photocell can be enabled or disabled by switch.
- 0-10VDC dimming drivers are standard.
- Two modules can independently rotate -15° to 210°.
- Premium powder-coat, polycarbonate, bronze housing with polycarbonate lens.

WARRANTY & LISTINGS

- cULus listed for wet locations in ambient temperatures from -40°C to 50°C (-40°F to 122°F).
- DLC approved.
- 5-year warranty of all electronics and housing.

DIMENSIONS

Model	L	W	H	Weight
WPRSR-19161310L	9.37"	6.27"	10.15"	5.3 lbs

ORDERING INFORMATION

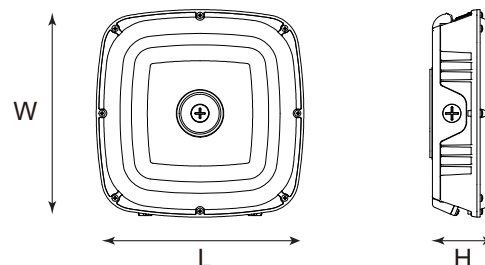
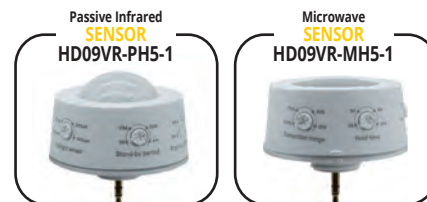
Example: WPRSR-19161310L-3CCT

Series	Nominal Lumen Output (Selectable)		Kelvin (Selectable)	
WPRSR	19161310L	19,000 / 16,000 / 13,000 / 10,000 lm	3CCT	3000 / 4000 / 5000K

OUTDOOR

CPSR CANOPY LUMINAIRE

STANDARD



FEATURES

- Universal 120-277V AC voltage (50-60Hz) is standard.
- Selectable output delivered lumens from 3,000 to 12,000 nominal lumens.
- Field selectable 3000K, 4000K & 5000K color temperatures.
- Sensor-ready receptacle comes standard. Screw-in sensor and remote control sold separately.
- Integrated photocell is standard. Photocell can be enabled or disabled by switch.
- 0-10VDC dimming drivers are standard.
- Premium powder-coat, diecast aluminum housing with polycarbonate lens.
- Surface or stem mounting capable.

WARRANTY & LISTINGS

- cULus listed for wet locations in ambient temperatures from -40°C to 45°C (-40°F to 113°F).
- DLC premium approved.
- 5-year warranty of all electronics and housing.

DIMENSIONS

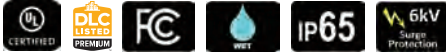
Model	L	W	H	Weight
CPSR-1210863L	10"	10"	3.18"	4.69 lbs

ORDERING INFORMATION

Example: CPSR-1210863L-3CCT-BRZ

Series	Nominal Lumen Output (Selectable)		Kelvin (Selectable)		Housing Color	
CPSR	1210863L	12,000 / 10,000 / 8,000 / 6,000 / 3,000 lm	3CCT	3000 / 4000 / 5000K	BRZ WHT	Bronze White

STANDARD



CPRSR ROUND CANOPY LUMINAIRE



FEATURES

- Universal 120-277V AC voltage (50-60Hz) is standard.
- Selectable output delivered lumens from 3,000 to 11,000 nominal lumens.
- Field selectable 3000K, 4000K & 5000K color temperatures.
- Sensor-ready receptacle comes standard. Screw-in sensor and remote control sold separately.
- Integrated photocell is standard. Photocell can be enabled or disabled by switch.
- 0-10VDC dimming drivers are standard.
- Premium powder-coat, diecast aluminum housing with polycarbonate lens.
- Surface or stem mounting capable.

WARRANTY & LISTINGS

- cULus listed for wet locations in ambient temperatures from -40°C to 45°C (-40°F to 113°F).
- DLC premium approved.
- 5-year warranty of all electronics and housing.

DIMENSIONS

Model	L	W	H	Weight
CPRSR-1110863L	10.01"	10.01"	3.06"	4.93 lbs

ORDERING INFORMATION

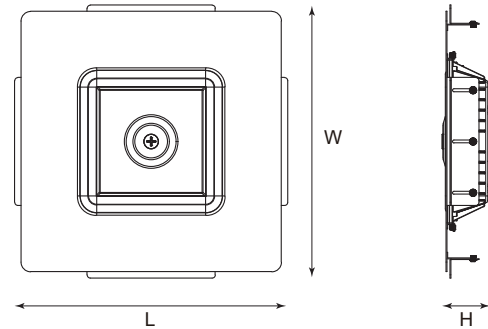
Example: CPRSR-1110863L-3CCT-BRZ

Series	Nominal Lumen Output (Selectable)		Kelvin (Selectable)		Housing Color	
CPRSR	1110863L	11,000 / 10,000 / 8,000 / 6,000 / 3,000 lm	3CCT	3000 / 4000 / 5000K	BRZ WHT	Bronze White

OUTDOOR

RECESSED-CP RECESSED CANOPY LUMINAIRE

STANDARD



FEATURES

- Universal 120-277V AC voltage (50-60Hz) is standard.
- 11,000 nominal lumens.
- 5000K color temperature.
- 0-10VDC dimming drivers are standard.
- Premium powder-coat, diecast aluminum white housing with polycarbonate lens.

WARRANTY & LISTINGS

- cULus listed for wet locations in ambient temperatures from -40°C to 50°C (-40°F to 122°F).
- 5-year warranty of all electronics and housing.

DIMENSIONS

Model	L	W	H	Weight
CP-11L-5K	10"	110"	3.18"	4.69 lbs

ORDERING INFORMATION

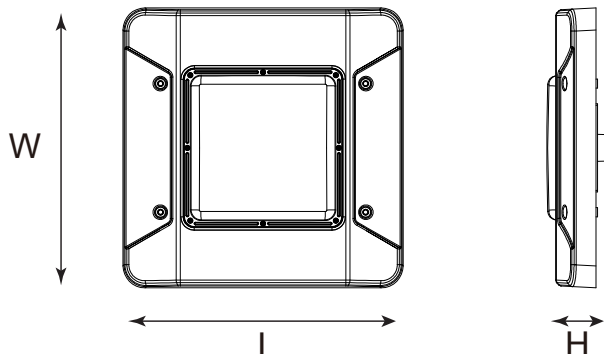
Example: CP-11L-5K

Series	Nominal Lumen Output		Kelvin	
	Model	Output	Model	Output
CP	11L	11,000 lm	5K	5000K

STANDARD



CPHL CANOPY HIGH LUMEN LUMINAIRE



FEATURES

- Universal 120-277V AC voltage (50-60Hz) is standard.
- Tri-lumens selectable output delivered from 19,000 to 27,000 nominal lumens.
- 5000K color temperature.
- Integrated photocell is standard. Photocell can be enabled or disabled by switch.
- 0-10VDC dimming drivers are standard.
- Premium powder-coat, diecast aluminum white housing with polycarbonate lens.

WARRANTY & LISTINGS

- cULus listed for wet locations in ambient temperatures from -40°C to 45°C (-40°F to 113°F).
- 5-year warranty of all electronics and housing.

DIMENSIONS

Model	L	W	H	Weight
CPHL-272219L-5K	15"	15"	3.26"	10.83 lbs

ORDERING INFORMATION

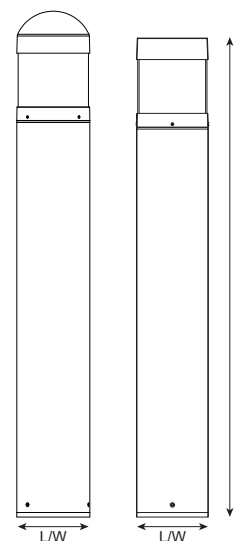
Example: CPHL-272219L-5K

Series	Nominal Lumen Output (Selectable)		Kelvin	
	CPHL	272219L	27,000 / 22,000 / 19,000 lm	5K

OUTDOOR

BOL ROUND AND SQUARE BOLLARDS

STANDARD



FEATURES

- Universal 120-277V AC voltage (50-60Hz) is standard.
- Four models deliver a range from 950 to 3,200 nominal lumens.
- Field selectable 3000K, 4000K & 5000K color temperatures.
- 0-10VDC dimming drivers are standard.
- Premium powder-coat, diecast aluminum housing with polycarbonate lens.

WARRANTY & LISTINGS

- cULus listed for wet locations in ambient temperatures from -40°C to 55°C (-40°F to 131°F).
 - DLC premium approved. *
 - 5-year warranty of all electronics and housing.
- * Excluding BOL-RDL models. BOL-RDL models are not DLC listed.

DIMENSIONS

Model	L	W	H	Weight
BOL-R	6"	6"	42"	15 lbs
BOL-S	6"	6"	42"	12 lbs
BOL-RD	6"	6"	44"	12 lbs
BOL-RDL	6"	6"	44"	13 lbs

ORDERING INFORMATION

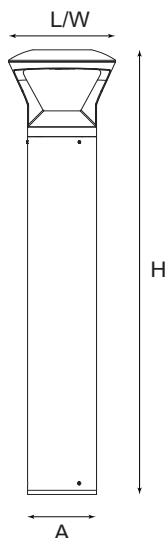
Example: BOL-R-3L-LKFS-BLK

Series	Model		Nominal Lumen Output (Selectable)		Kelvin (Selectable)		Housing Color		Mounting Means Options	
BOL	R S RD	Round	3L	3,200 / 2,600 / 1,900 lm	LKFS	3000 / 4000 / 5000K	BLK	Black	BOL-R-MTGKIT	Anchore bolt for round bollard
		Square							BOL-S-MTGKIT	
	Round Dome	2L	1,600 / 1,300 / 950lm	RDL			Round Dome Louvered			

STANDARD



BOL-UFO UFO HEAD BOLLARDS



FEATURES

- Universal 120-277V AC voltage (50-60Hz) is standard.
- Tri-lumens selectable output delivered from 1,700 to 3,000 nominal lumens.
- Field selectable 3000K, 4000K & 5000K color temperatures.
- 0-10VDC dimming drivers are standard.
- Premium powder-coat, diecast aluminum housing with polycarbonate lens.

WARRANTY & LISTINGS

- cULus listed for wet locations in ambient temperatures from -40°C to 60°C (-40°F to 140°F).
- DLC premium approved.
- 5-year warranty of all electronics and housing.

DIMENSIONS

Model	L	W	A	H	Weight
BOL-UFO-302317L	9.76"	9.76"	6.3"	42"	13.22 lbs

ORDERING INFORMATION

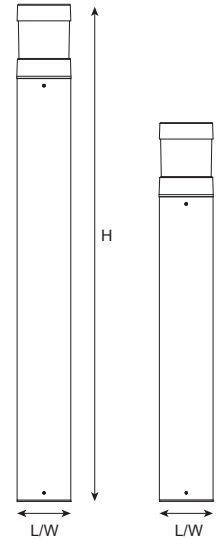
Example: BOL-UFO-302317L-3CCT-BLK

Series	Nominal Lumen Output (Selectable)		Kelvin (Selectable)		Housing Color	
	BOL-UFO	302317L	3,000 / 2,300 / 1,700 lm	3CCT	3000 / 4000 / 5000K	Blank BLK

OUTDOOR

BOLS SLIM BOLLARDS

STANDARD



FEATURES

- Universal 120-277V AC voltage (50-60Hz) is standard.
- Four models deliver a range from 1,800 to 3,200 nominal lumens.
- Field selectable 2700K, 3000K, 3500K, 4000K & 5000K color temperatures.
- Integrated photocell is standard. Photocell can be enabled or disabled by switch.
- 0-10VDC dimming drivers are standard.
- Premium powder-coat, diecast aluminum housing with polycarbonate lens.

WARRANTY & LISTINGS

- cULus listed for wet locations in ambient temperatures from -40°C to 50°C (-40°F to 122°F).
- DLC approved.
- 5-year warranty of all electronics and housing.

DIMENSIONS

Model	L	W	H	Weight
BOLS-R32	4.53"	4.53"	32"	8.29 lbs
BOLS-S32	4.53"	4.53"	32"	10.71 lbs
BOLS-R42	4.53"	4.53"	42"	9.57 lbs
BOLS-S42	4.53"	4.53"	42"	12.52 lbs

ORDERING INFORMATION

Example: BOL-R32-302418L-5CCT

Series	Model		Nominal Lumen Output (Selectable)		Kelvin (Selectable)		Housing Color	
BOLS	R32	Round, 32" Height	302418L	3,000 / 2,400 / 1,800 lm	5CCT	2700 / 3000 / 3500 / 4000 / 5000K	BLK	Black
	S32	Square, 32" Height					Blank	Bronze
	R42	Round, 42" Height						
	S42	Square, 42" Height						

STANDARD



BH BULK HEAD LUMINAIRE



FEATURES

- Universal 120-277V AC voltage (50-60Hz) is standard.
- Tri-lumens selectable output delivered from 2,000 to 4,000 nominal lumens.
- Field selectable 3000K, 4000K & 5000K color temperatures.
- Integrated photocell is standard. Photocell can be enabled or disabled by switch.
- 0-10VDC dimming drivers are standard.
- Premium powder-coat, diecast aluminum housing with polycarbonate lens.

WARRANTY & LISTINGS

- cULus listed for wet locations in ambient temperatures from -40°C to 50°C (-40°F to 122°F).
- 5-year warranty of all electronics and housing.

DIMENSIONS

Model	L	W	H	Weight
BH-432L-3CCT	10.3"	4.48"	3.62"	1.68 lbs

ORDERING INFORMATION

Example: BH-432L-3CCT

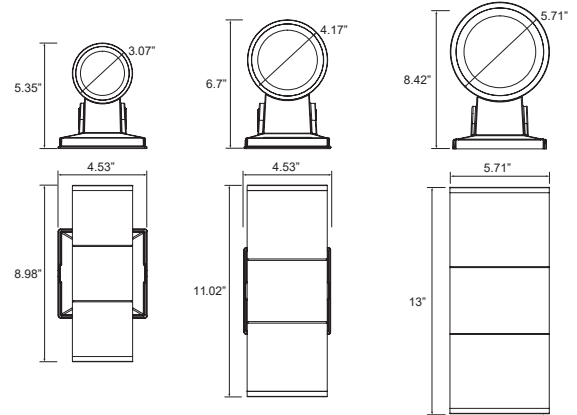
Series	Nominal Lumen Output (Selectable)		Kelvin (Selectable)	
	BH	432L	4,000 / 3,000 / 2,000 lm	3CCT

OUTDOOR

CYL-UPDN

UP/DN CYLINDER LUMINAIRE

STANDARD



FEATURES

- Universal 120-277V AC voltage (50-60Hz) is standard.
- Tri-models deliver a range from 600 to 3,000 nominal lumens.
- Field selectable 3000K, 4000K & 5000K color temperatures.
- Integrated photocell is standard. Photocell can be enabled or disabled by switch.
- 0-10VDC dimming drivers are standard.
- Selectable switch allows for light to be directed up only, down only, or both up and down.
- Beam angle 35°.
- Premium powder-coat, diecast aluminum, bronze housing with glass lens.

WARRANTY & LISTINGS

- cULus listed for wet locations in ambient temperatures from -40°C to 45°C (-40°F to 113°F).
- 5-year warranty of all electronics and housing.

DIMENSIONS

Model	L	W	H	Ø	Weight
CYL-UPDN-976L	4.53"	5.35"	8.98"	3.07"	2.65 lbs
CYL-UPDN-201712L	4.53"	6.7"	11.02"	4.17"	4.13 lbs
CYL-UPDN-302722L	5.71"	8.42"	13"	5.71"	6.48 lbs

ORDERING INFORMATION

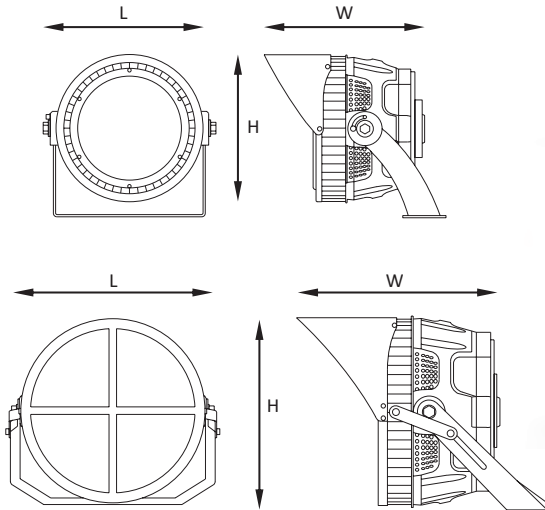
Example: CYL-UPDN-976L-3CCT

Series	Nominal Lumen Output		Kelvin	
CYL-UPDN	976L	900 / 700 / 600 lm	3CCT	3000 / 4000 / 5000K
	201712L	2,000 / 1,700 / 1,200 lm		
	302722L	3,000 / 2,700 / 2,200 lm		

STANDARD



SDM STADIUM LIGHT



FEATURES

- Universal 120-277V & 200-480V AC voltage (50-60Hz) is standard.
- Available models deliver a range from 39,279 to 172,272 nominal lumens.
- Field selectable 3000K, 4000K, 5000K & 5700K color temperatures.
- 2 meter AC power cords are standard. 25 meter AC power cords are optional.
- Adjustable from 0° to 100° vertically, and from 0° to 120° horizontally.
- Cold forged aluminum with black, powder coat finish housing with polycarbonate lens.

WARRANTY & LISTINGS

- cULus listed for wet locations in ambient temperatures from -40°C to 50°C (-40°F to 122°F).
- 5-year warranty of all electronics and housing.

DIMENSIONS

Model	L	W	H	Weight
SDM-39L/50L/64L	14.5"	14.5"	15.7"	36.4 lbs
SDM-77L/98L	18.7"	18.7"	19.7"	66 lbs
SDM-163L	18.7"	18.7"	19.7"	71.7lbs

ORDERING INFORMATION

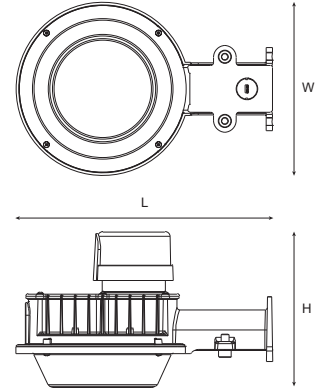
Example: SDM-39L-3K-5X5

Series	Nominal Lumen Output		Kelvin (Selectable)		Input Voltage		Distribution Type	Mounting Options		AC Power Cord Option		Accessories (Order Separately)	
SDM	39L	39,000 lm	3K	3000K	Blank UNC	120-277V 200-480V	3x3 5x5	RMB	Rotating Mounting Bracket	82C3 Blank	25-meter AC power cord 3-conductor Standard AC Power Cords	SMD-LAD	Laser Aiming Device
	50L	50,000 lm	4K	4000K				Blank	Standard Wall Bracket				
	64L	64,000 lm	5K	5000K									
	77L	77,000 lm	57K	5700K									
	98L	98,000 lm											
163L	163,000 lm												

OUTDOOR

DDAL DUSK-TO-DAWN AREA LIGHT

STANDARD



FEATURES

- Universal 120-277V AC voltage (50-60Hz) is standard.
- 5,000 nominal lumen.
- 5000K color temperature.
- 0-10VDC dimming drivers are standard.
- Premium powder-coat, diecast aluminum, gray housing with polycarbonate lens.

WARRANTY & LISTINGS

- cULus listed for wet locations in ambient temperatures from -40°C to 45°C (-40°F to 113°F).
- 5-year warranty of all electronics and housing.

DIMENSIONS

Model	L	W	H	Weight
DDAL-5L-5K	10"	7"	6"	3 lbs

ORDERING INFORMATION

Example: DDAL-5L-5K










Series	Nominal Lumen Output		Kelvin		Accessories (Order Separately)	
DDAL	5L	5,000 lm	5K	5000K	LED-DDALSN-ARM	Mounting arm with bracket

BEST
LIGHTING PRODUCTS



ACCESSORIES

INDOOR PRODUCT ACCESSORIES











	Internal PHOTOCELL (JL-403C) <ul style="list-style-type: none"> • Multi-volt: 120-277V • Rated up to 800W • Single Pole • 10-20Lx On / 30-80Lx Off 		External PIR Sensor W/RCA (HD09VR-PH5-1) <ul style="list-style-type: none"> • 12VDC Input Power • Screw in RCA Jack compatible with most standard receptacles • Mounts up to 40 ft • Requires remote to adjust factory settings (HD05R)
	External PHOTOCELL (JL-404C) <ul style="list-style-type: none"> • Multi-volt: 120-277V • Rated up to 800W • Single Pole • 10-20Lx On / 30-80Lx Off 		External Microwave Sensor W/RCA (HD09VR-MH5-1) <ul style="list-style-type: none"> • 12VDC Input Power • Screw in RCA Jack compatible with most standard receptacles • Mounts up to 50 ft • Requires remote to adjust factory settings (HD05R)
	External PIR Occ Sensor (HD418SHP) <ul style="list-style-type: none"> • Multi-volt: 120-277V • Rated up to 400W • Single Pole • Mounts up to 40ft • Turn Dials and remote 		External PIR Sensor W/RCA (HD09VR-PH5-1-90) <ul style="list-style-type: none"> • 12VDC Input Power • Screw in RCA Jack compatible with most standard receptacles • Mounts up to 40 ft • Requires remote to adjust factory settings (HD05R)
	Internal Microwave Occ Sensor (HD407V-CR) <ul style="list-style-type: none"> • Multi-volt: 120-277V • Rated up to 3A • 0-10V Dimming • Mounts up to 20ft • DIP Switches and remote 		External Microwave Sensor W/RCA (HD09VR-MH5-1-90) <ul style="list-style-type: none"> • 12VDC Input Power • Screw in RCA Jack compatible with most standard receptacles • Mounts up to 50 ft • Requires remote to adjust factory settings (HD05R)
	0-10V Dimming Wall Switch (GPDMLV) <ul style="list-style-type: none"> • Multi-volt: 120-277V • 0-10V Dimming • Rated up to 600W • Compatible with LED/CFL/Incandescent Lamps and Luminaires • Single pole and 3 Way applications 		Internal Snap-in Microwave Sensor (HD027) <ul style="list-style-type: none"> • 12VDC Input Power • Snap in rectangular sheet metal 0.7" x 2" opening • Mounts up to 20 ft • Requires remote to adjust factory settings (HD06R)
	Internal SURGE PROTECTOR (SP10) <ul style="list-style-type: none"> • Multi-volt: 120-277V • 10kV Surge Protection 		Wall Switch PIR Sensor 3Way (DWOS-3J) <ul style="list-style-type: none"> • Multi-volt: 120 or 277V • Rated up to 800W • 3 Way Switch • Coverage: 180°, 1200 sq.ft.
	Enclosed 480/347V to 277V Step Down Transformer (KTAT-xxx-480-277/A) <ul style="list-style-type: none"> • Dual Voltage: 347V or 480V • Output Voltage = 277V • Thermally Protected 		Ceiling Mount PIR & Ultrasonic Sensor (MDC-50V) <ul style="list-style-type: none"> • Multi-volt: 120 or 277V • Rated up to 800W • PIR Coverage: 360°, 1600 sq.ft./ • Ultrasonic: 1000 sq.ft.
	External/Remote 480/347 to 277V Step Down Transformer (HBSD-325W-480-277) <ul style="list-style-type: none"> • Tri-Voltage - 480V/347V/277V • Output Voltage - 208V @ 480V, 150V @ 347V, 120V @ 277V • Field Installed 		Ceiling Mount PIR Sensor (MPC-50V) <ul style="list-style-type: none"> • Multi-volt: 120 or 277V • Rated up to 800W • PIR Coverage: 360°, 1200 sq.ft./ • Ultrasonic: 1000 sq.ft
	External Microwave Occ Sensor (HD406VRH-D) <ul style="list-style-type: none"> • Multi-volt: 120-277V • Rated up to 3A • Mounts up to 50ft • Remote required 		Wall Switch PIR & Ultrasonic Sensor (MWOS) <ul style="list-style-type: none"> • Multi-volt: 120 or 277V • Rated up to 800W • 3 Way Switch • PIR Coverage: 180°, 1200 sq.ft. / • Ultrasonic: 400 sq.ft.

INDOOR PRODUCT ACCESSORIES

Luminaire series	PNL - Flat Panel	CB - Center Basket	SL - Strip Light	SLS - Slim Strip Light	SLSR - Strip Light	WRE - Economy Wrap	WR - Premium Wrap	SW - Steairwell Light	VTSR - Vapor-tight	FHBSR - Full Body High Bay	HBSLR - Linear High Bay	HBLASR - Adjustable Linear High Bay	APEN4 - Surface or Pendant Mount Cylinder	ALDI - Architectural Direct Indirect Light	DR - Double Round Surface Mount Light	SM - Surface Mount Plastic Puff	DL - Round Flat Disk Lights	DK - Disk Light	UC - Premium Undercabinets	UCE Economy Undercabinets
JL-403C Internal PHOTOCELL	0	0	0	0	0	0	0	0	0	0	0	0	0	0	0	0	0	0	0	0
JL-404C External PHOTOCELL	3	3	3	1,2,3	1,2,3	0	1,2,3	1,2,3	1,2,3	1,2,3	1,2,3	1,2,3	3	3	3	3	3	3	3	3
HD418SHP External PIR Occ Sensor	0	0	1,2	1,2	1,2	0	1,2	1,2	1,2	1,2	1,2	1,2	0	0	0	0	0	0	0	0
HD407V-CR Internal Microwave Occ Sensor	0	1,2	1,2	0	0	0	0	0	0	0	0	0	0	0	0	0	0	0	0	0
GPDMV 0-10V Dimming Wall Switch	3	3	3	3	3	3	3	3	3	3	3	3	3	3	0	0	0	0	0	0
SP10 Internal SURGE PROTECTOR	0	1,2	1,2	1,2	1,2	1,2	1,2	1,2	1,2	1,2	1,2	1,2	0	0	0	0	0	0	0	0
KTAT-xxx-480-277/A Enclosed 480/347V to 277V Step Down Trans	0	0	0	1	1	1	1	1	1	0	0	0	0	0	0	0	0	0	0	0
HBSD-325W-480-277 External/Remote 480/347 to 277V Step Down Trans	0	0	0	0	0	0	0	0	0	1	1	1	0	0	0	0	0	0	0	0
HD406VRH-D External Microwave Occ Sensor	0	0	0	0	1,2	0	1,2	1,2	1,2	1,2	1,2	1,2	0	0	0	0	0	0	0	0
HD09VR-PH5-1 External PIR Sensor W/RCA	0	0	0	0	0	0	2	2	0	0	2	2	0	0	0	0	0	0	0	0
HD09VR-MH5-1 External Microwave Sensor W/RCA	0	0	0	0	0	0	0	0	0	0	2	2	0	0	0	0	0	0	0	0
HD09VR-PH5-1-90 External PIR Sensor W/RCA2	0	0	0	0	0	0	0	0	0	0	2	2	0	0	0	0	0	0	0	0
HD09VR-MH5-1-90 External Microwave Sensor W/RCA3	0	0	0	0	0	0	0	0	2	2	0	0	0	0	0	0	0	0	0	0
HD027 Internal Snap-in Microwave Sensor	0	0	0	0	1,2	0	0	0	0	0	0	0	0	0	0	0	0	0	0	0
DWOS-3J Wall Switch PIR Sensor 3Way	3	3	3	3	3	3	3	3	3	3	3	3	3	3	3	3	3	3	3	3
MDC-50V Ceiling Mount PIR & Ultrasonic Sensor	3	3	3	3	3	3	3	3	3	3	3	3	3	3	3	3	3	3	3	3
MPC-50V Ceiling Mount PIR Sensor	3	3	3	3	3	3	3	3	3	3	3	3	3	3	3	3	3	3	3	3
MWOS Wall Switch PIR & Ultrasonic Sensor	3	3	3	3	3	3	3	3	3	3	3	3	3	3	3	3	3	3	3	3

Scenarios	
0	Not an option
1	Factory Installed
2	Field Installed
3	Remote Mount

OUTDOOR PRODUCT ACCESSORIES

	<p>Internal PHOTOCELL (JL-403C)</p> <ul style="list-style-type: none"> • Multi-volt: 120-277V • Rated up to 800W • Single Pole • 10-20Lx On / 30-80Lx Off 		<p>External PIR Sensor W/RCA (HD07VR-PHF-1)</p> <ul style="list-style-type: none"> • 12VDC Input Power • Screw in RCA Jack compatible with most standard receptacles • Mounts up to 40 ft • Requires remote to adjust factory settings (HD06R)
	<p>External PHOTOCELL (JL-404C)</p> <ul style="list-style-type: none"> • Multi-volt: 120-277V • Rated up to 800W • Single Pole • 10-20Lx On / 30-80Lx Off 		<p>External Microwave Sensor W/RCA (HD07VR-MHF-1)</p> <ul style="list-style-type: none"> • 12VDC Input Power • Screw in RCA Jack compatible with most standard receptacles • Mounts up to 50 ft • Requires remote to adjust factory settings (HD06R)
	<p>3 Pin NEMA Photocell (JL-205C23-IP65)</p> <ul style="list-style-type: none"> • Multi-volt: 120-277V • Turns on at 6 lux, turns off at 50 lux • Operating Temperature of -40°C(-40°F) to 70°C(158°F) • Rated up to 1800W • Preset S-30 second time delay 		<p>External PIR Sensor W/RCA (HD09VR-PH5-1)</p> <ul style="list-style-type: none"> • 12VDC Input Power • Screw in RCA Jack compatible with most standard receptacles • Mounts up to 40 ft • Requires remote to adjust factory settings (HD05R)
	<p>480V NEMA Photocell (26WA86)</p> <ul style="list-style-type: none"> • Input Voltage of 480V • Turns on at 10-20 lux, Turns off at 30-60 lux • Operating Temperature of -40°C(-40°F) to 70°C(158°F) • Rated up to 1800W 		<p>External Microwave Sensor W/RCA (HD09VR-MH5-1)</p> <ul style="list-style-type: none"> • 12VDC Input Power • Screw in RCA Jack compatible with most standard receptacles • Mounts up to 50 ft • Requires remote to adjust factory settings (HD05R)
	<p>Internal SURGE PROTECTOR (SP10)</p> <ul style="list-style-type: none"> • Multi-volt: 120-277V • 10kV Surge Protection 		<p>External Photocell W/RCA (HD07VR-A-1)</p> <ul style="list-style-type: none"> • 12VDC Input Power • Screw in RCA Jack compatible with most standard receptacles • Mounts up to 40 ft • Requires remote to adjust factory settings (HD05R)

OUTDOOR PRODUCT ACCESSORIES

Luminaire series	MPALSR - Multi-Purpose Area Luminaire	CPSR - Canopy Round	CPSR - Canopy Square	CPHL - Canopy High Lumen	CP-11L Recessed Canopy Light	WPE - Wall Pack Economy	W/TSR - Traditional Wall Pack	WPFCRSR - Full Cut-Off Wall Pack	WPASR - Adjustable Wall Pack	WPHM - Half-Moon Wall Pack	DDAL - Dusk-to-dawn Area Light	BOL - Round and Square Bollards	BOL-UFO Modern Round Bollard	HBRSR - Round High Bay	HBR - Economy Round High Bay	BF - Bullet Flood Light	BFHL - Bullet Flood High Lumen Light	CYL-UPDN	SDM - Stadium Light
JL-403C Internal PHOTOCELL	0	0	0	0	0	0	0	0	0	0	0	0	0	0	0	0	0	0	0
JL-404C External PHOTOCELL	3	3	3	3	3	3	3	3	3	3	3	3	3	3	3	3	3	3	0
JL-205C23-IP65 External 3-Pin Nema Photocell	1,2	0	0	0	0	0	0	0	2	0	0	0	0	0	0	0	0	0	0
26WA86 External 3-Pin Nema Photocell, 480V	1,2	0	0	0	0	0	0	0	0	0	0	0	0	0	0	0	0	0	0
SP10 Internal SURGE PROTECTOR	1,2	1,2	0	0	0	0	1,2	1,2	1,2	1,2	0	0	0	0	0	0	0	0	0
HD07VR-PHF-1 External PIR Sensor W/RCA	2	2	2	0	0	0	2	2	2	0	0	0	0	2	0	0	0	0	0
HD07VR-MHF-1 External Microwave Sensor W/RCA	2	2	2	0	0	0	2	2	2	0	0	0	0	2	0	0	0	0	0
HD09VR-PH5-1 External PIR Sensor W/RCA	2	2	2	0	0	0	0	0	0	0	0	0	0	2	0	0	0	0	0
HD09VR-MH5-1 External Microwave Sensor W/RCA	2	2	2	0	0	0	0	0	0	0	0	0	0	2	0	0	0	0	0
HD07VR-A-1 External Photocell W/RCA	2	0	0	0	0	0	0	0	0	0	0	0	0	2	0	0	0	0	0

Scenarios	
0	Not an option
1	Factory Installed
2	Field Installed
3	Remote Mount

OPTIONAL CONFIGURATIONS

Luminaire series	CORD	CORD AND PLUG	WHIP	PHOTOCELL	OS	ODS	RF controller	Bluetooth Controller	OnBoardDim OBD	SURGE PROTECTOR	EMERGENCY DRIVER	STEP-DOWN TRANSFORMER	Sensor Ready	Integrated Photocell
ALDI Architectural Direct Indirect Light	✗	✗	✗	✗	✗	✗	✗	✗	✗	✗	✗	✗	✗	✗
APEN4 - Surface or Pendant Mount Cylinder	✗	✗	✗	✗	✗	✗	✗	✗	✗	✗	✗	✗	✗	✗
BF - Bullet Flood Light	✗	✗	✗	✗	✗	✗	✗	✗	✗	✗	✗	✗	✗	●
BFHL - Bullet Flood High Lumen Light	✗	✗	✗	✗	✗	✗	✗	✗	✗	✗	✗	✗	✗	●
BOL -Round and Sqare Bollards	✗	✗	✗	✗	✗	✗	✗	✗	✗	●	✗	✗	✗	✗
BOL-UFO Modern Round Bollard	✗	✗	✗	✗	✗	✗	✗	✗	✗	●	✗	✗	✗	✗
CB - Center Basket	✗	✗	●	✗	✗	●	✗	✗	●	●	●	✗	✗	✗
CP-11L Recessed Canopy Light	✗	✗	✗	✗	✗	✗	✗	✗	✗	✗	✗	✗	●	✗
CPHL - Canopy High Lumen	✗	✗	✗	✗	✗	✗	✗	✗	✗	✗	✗	✗	✗	✗
CPRSR - Canopy Round	✗	✗	✗	✗	✗	✗	✗	✗	✗	●	✗	✗	●	✗
CPSR - Canopy Square	✗	✗	✗	✗	✗	✗	✗	✗	✗	●	✗	✗	●	✗
CYL-UPDN - UP/ND Cylinder	✗	✗	✗	✗	✗	✗	✗	✗	✗	✗	✗	✗	✗	●
DDAL - Dusk-to-dawn Area Light	✗	✗	✗	✗	✗	✗	✗	✗	✗	✗	✗	✗	✗	✗
DK - Disk Light	✗	✗	✗	✗	✗	✗	✗	✗	✗	✗	✗	✗	✗	✗
DL - Round Flat Disk Lights	✗	✗	✗	✗	✗	✗	✗	✗	✗	✗	✗	✗	✗	✗
DR - Double Round Surface Mount Light	✗	✗	✗	✗	✗	✗	✗	✗	✗	✗	✗	✗	✗	✗
FHBSR - Full Body High Bay	●	●	●	●	●	✗	●	●	●	●	●	●	●	✗
HBLASR - Adjustable Linear High Bay	●	●	●	●	●	✗	●	●	●	●	●	●	●	✗
HBSLR - Linear High Bay	●	●	●	●	●	✗	●	●	●	●	●	●	●	✗
HBRE - Economy Round High Bay	✗	●	✗	✗	✗	✗	✗	✗	✗	✗	✗	▲	✗	✗
HBRSR - Round High Bay	✗	●	✗	✗	✗	✗	✗	✗	✗	✗	✗	▲	●	✗
MPALSR - Multi-Purpose Area Luminaire	✗	✗	✗	✗	✗	✗	✗	✗	✗	●	✗	✗	●	✗
PNL - Flat Panel	✗	✗	●	✗	✗	✗	✗	✗	✗	✗	●	✗	✗	✗
SDM - Stadium Light	✗	✗	✗	✗	✗	✗	✗	✗	✗	✗	✗	✗	✗	✗
SL - Strip Light	●	●	●	●	●	●	●	●	●	●	●	✗	✗	✗
SLS - Slim Strip Lgiht	●	●	●	●	●	✗	●	●	●	●	✗	✗	✗	✗
SLSR - Strip Light	●	●	●	●	●	●	●	●	●	●	●	✗	●	✗
SM - Surface Mount Plastic Puff	✗	✗	✗	✗	✗	✗	✗	✗	✗	✗	✗	✗	✗	✗
SW - Stairwell Light	●	●	●	●	●	●	●	●	●	●	●	✗	✗	✗
UC - Premium Undercabinets	✗	✗	✗	✗	✗	✗	✗	✗	✗	✗	✗	✗	✗	✗
UCE - Economy Undercabinets	✗	✗	✗	✗	✗	✗	✗	✗	✗	✗	✗	✗	✗	✗
VTSR - Vapor-tight	●	●	●	●	●	●	●	●	●	●	●	✗	●	✗
WPASR - Adjustable Wall Pack	✗	✗	✗	✗	✗	✗	✗	✗	✗	✗	✗	✗	●	●
WPE - Wall Pack Economy	✗	✗	✗	✗	✗	✗	✗	✗	✗	✗	✗	✗	✗	●
WPFCR - Full Cut-Off Wall Pack	✗	✗	✗	✗	✗	✗	✗	✗	✗	●	✗	✗	●	●
WPHM - Half-Moon Wall Pack	✗	✗	✗	✗	✗	✗	✗	✗	✗	✗	✗	✗	✗	●
WPTSR - Traditional Wall Pack	✗	✗	✗	✗	✗	✗	✗	✗	✗	●	✗	✗	●	●
WR - Premium Wrap	●	●	●	●	●	●	●	●	●	●	●	✗	✗	✗
WRE - Economy Wrap	✗	✗	✗	✗	✗	✗	✗	✗	✗	✗	✗	✗	✗	✗