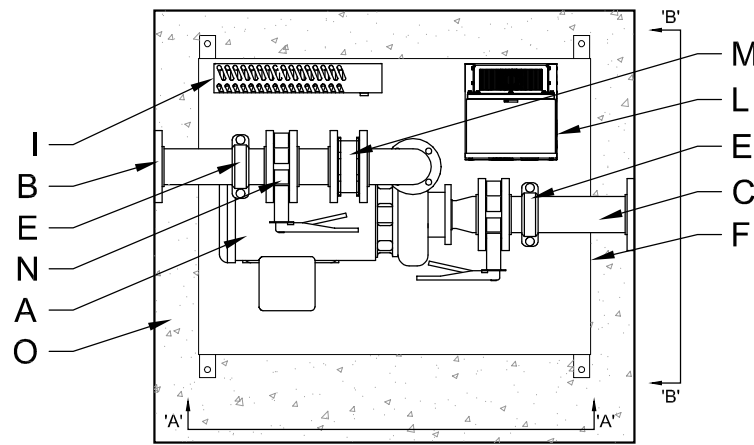


**INCON-TROL WATER SYSTEMS: MONSOON FORCE SERIES**

- |   |   |
|---|---|
| A. CLOSE COUPLED PUMP/MOTOR                                     | K. DISCONNECT SWITCH  |
| B. DISCHARGE PLUMBING - STEEL PIPE                              | L. VARIABLE FREQUENCY DRIVE   |
| C. SUCTION PLUMBING - STEEL PIPE                                | M. CHECK VALVE  |
| D. PRESSURE TRANSDUCER  | N. BUTTERFLY VALVE  |
| E. GRUVLOK STEEL COUPLING                                       | O. CONCRETE PAD   |
| F. STEEL PUMP SKID - DIRECT TO METAL CORROSION RESISTANT PAINT. |   |
| G. ALUMINUM ENCLOSURE (INSULATED)                               |   |
| H. VENT COVERS  |   |
| I. HEATER   | *PUMP STATION SHALL BE PRESSURE ACTIVATED, AND REQUIRES NO ELECTRICAL CONNECTION TO THE IRRIGATION SYSTEM.* |
| J. FAN  |   |

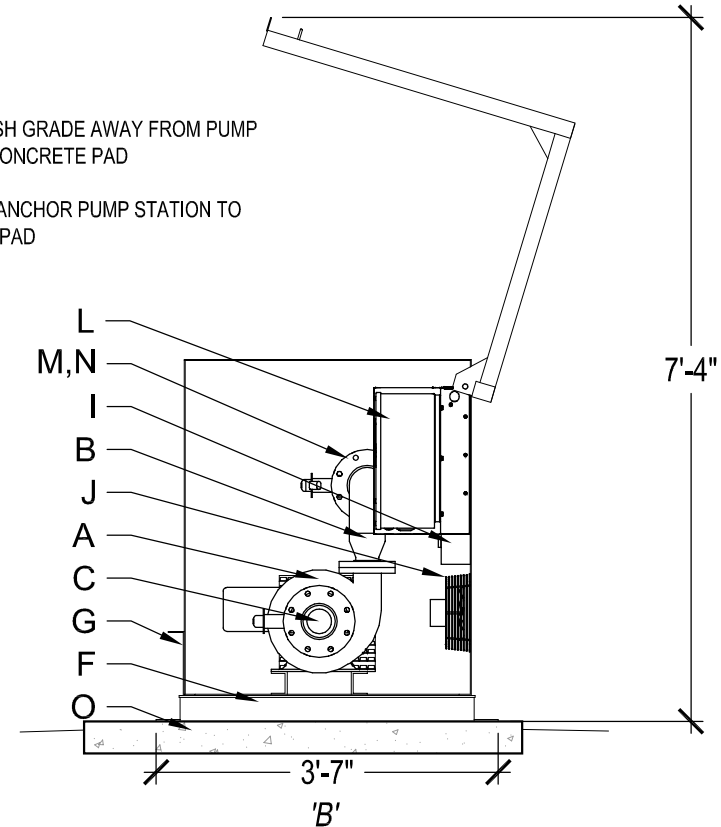
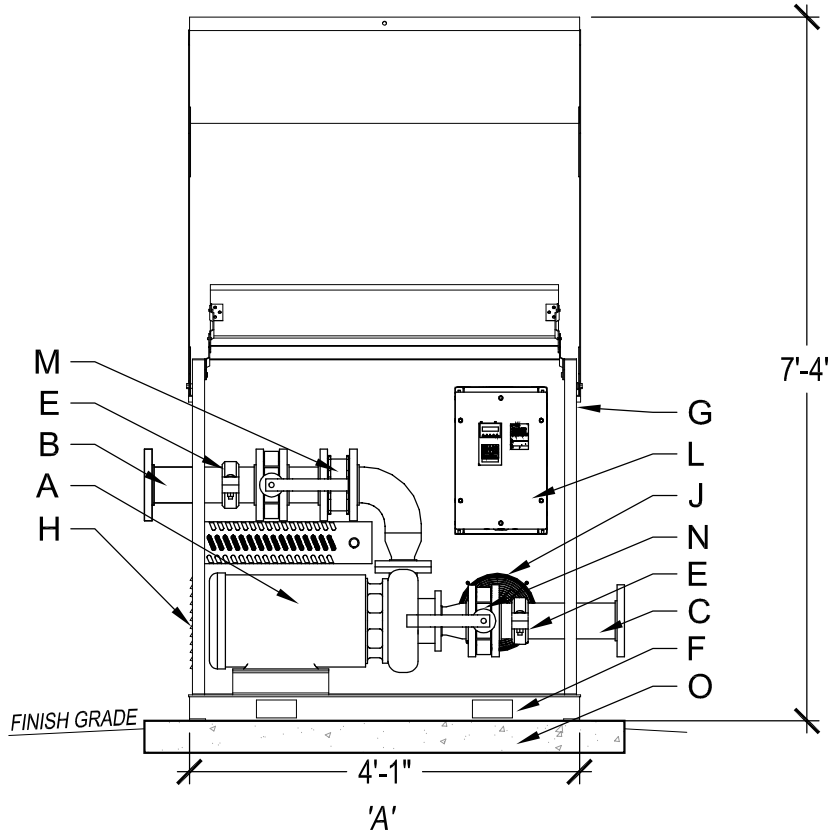


REQUIRED GPM: \_\_\_\_\_ REQUIRED PSI: \_\_\_\_\_



**NOTES:**

1. SLOPE FINISH GRADE AWAY FROM PUMP STATION / CONCRETE PAD
2. SECURELY ANCHOR PUMP STATION TO CONCRETE PAD

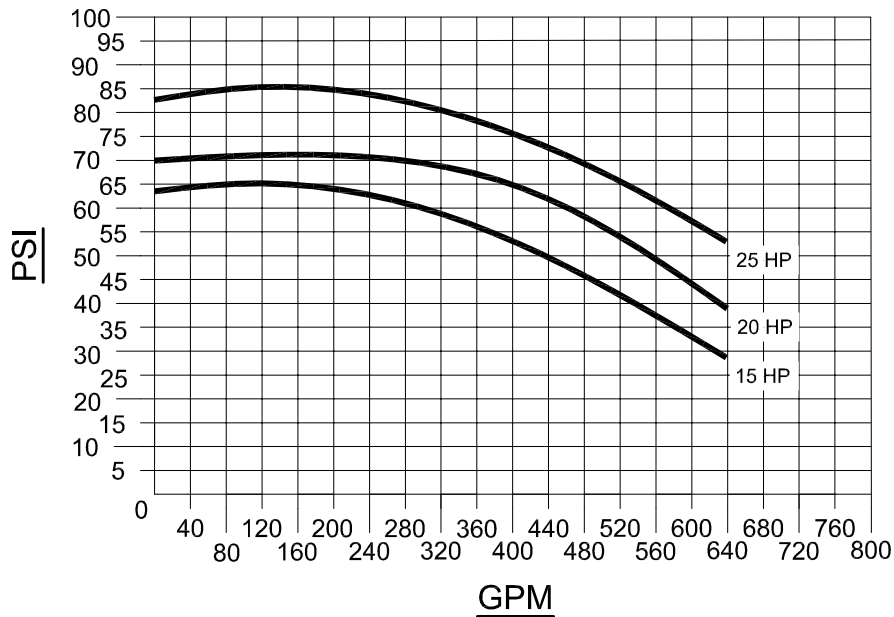


**1 INCON-TROL WATER SYSTEMS MONSOON FORCE SERIES PUMP STATION**  
SCALE: 1/2" = 1'-0" DETAIL



**MONSOON FORCE SERIES PUMP CURVE**  
15 HP, 20 HP, 25 HP

3 PHASE ELECTRICAL DATA		
HP	VOLTAGE	SERVICE SIZE
15	208	80A
20	208	100A
25	208	125A
HP	VOLTAGE	SERVICE SIZE
15	240	70A
20	240	90A
25	240	110A
HP	VOLTAGE	SERVICE SIZE
15	480	40A
20	480	50A
25	480	60A



MONSOON SERIES 15HP	
PSI	GPM
65	120
32	600

MONSOON SERIES 20HP	
PSI	GPM
72	160
47	580

MONSOON SERIES 25HP	
PSI	GPM
86	140
58	610

**FINAL HORSEPOWER TO BE SIZED BY INCON-TROL WATER SYSTEMS. USE GRAPH FOR PRELIMINARY SIZING ONLY.**

**SPECIFICATION DATA:** SKID MOUNTED PUMPING SYSTEM, CONSISTING OF AN ALUMINUM ENCLOSURE, CLOSE COUPLED MOTOR DRIVEN PUMP, SUCTION AND DISCHARGE POINTS OF CONNECTIONS, PRESSURE TRANSDUCER, VARIABLE FREQUENCY DRIVE (VFD), DISCONNECT SWITCH AND ASSOCIATED FITTINGS. ALL **MONSOON FORCE SERIES** PUMP STATIONS COME IN 208 VOLT, 240 VOLT AND 480 VOLT, THREE PHASE POWER.

**APPLICATION:** **MONSOON FORCE SERIES** SKID MOUNTED PUMPING SYSTEMS IS TO BE USED ON ANY PROJECT WHERE WATER NEEDS TO BE MOVED. COMMON APPLICATIONS INCLUDE IRRIGATION SYSTEMS, RAIN WATER HARVESTING, AND COMMERCIAL WATER FEATURES/FOUNTAINS. THIS SERIES CAN BE CONFIGURED AS, FLOODED-SUCTION, SUCTION-LIFT, OR BOOSTER PUMPS. ALL **MONSOON FORCE SERIES** PUMP STATIONS ARE BUILT AND TESTED AT THE FACTORY FOR THE HIGHEST DEGREE OF QUALITY.



TITLE Detail Sheet  
DATE 01/01/2019  
SCALE 1/2" = 1'-0"  
SHEET 1 of 1

## **MONSOON FORCE SERIES** DETAIL SHEET

REVISIONS
_____ X
_____ X
_____ X
_____ X
_____ X